

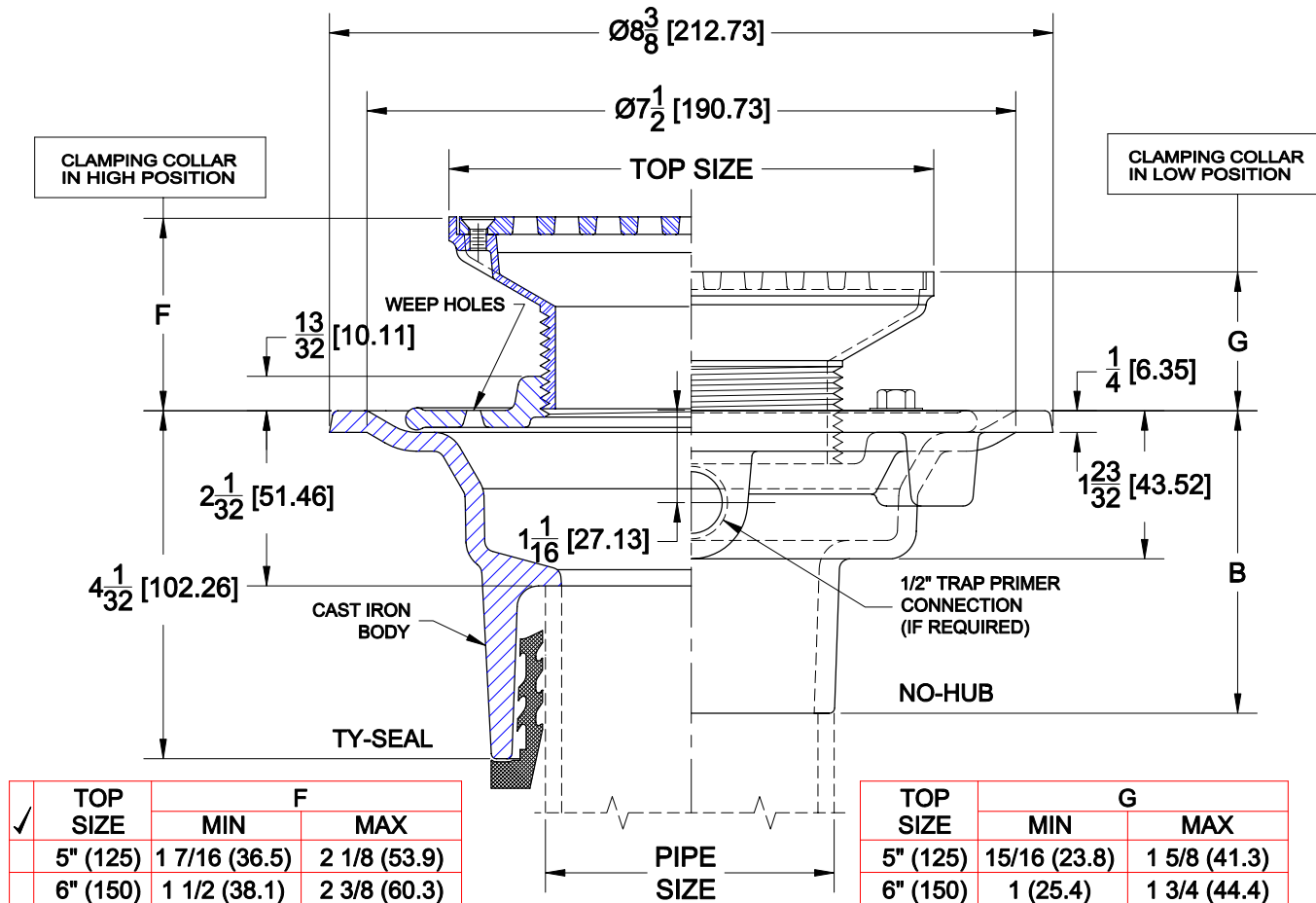
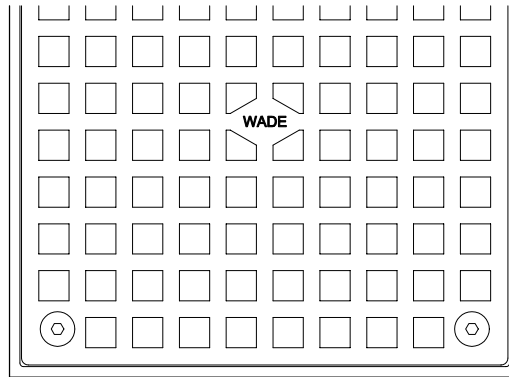
ADJUSTABLE FLOOR DRAIN



1100-G/SS

CAST IRON FLOOR DRAIN WITH INTEGRAL CLAMPING COLLAR, SEEPAGE OPENINGS
1/2" TRAP PRIMER TAPPING & 304 STAINLESS STEEL ADJUSTABLE SQUARE STRAINER.

ANSI LOAD CLASS
MD (MEDIUM DUTY)
(2,000-4,999 LBS)



✓	TOP SIZE	F	
		MIN	MAX
	5" (125)	1 7/16 (36.5)	2 1/8 (53.9)
	6" (150)	1 1/2 (38.1)	2 3/8 (60.3)

TOP SIZE	G	
	MIN	MAX
5" (125)	15/16 (23.8)	1 5/8 (41.3)
6" (150)	1 (25.4)	1 3/4 (44.4)

OUTLET	NO-HUB	INSIDE CAULK	THREADED
B	3 1/2 (88.9)	4 1/4 (107.9)	2 3/4 (69.9)

OPTIONS

Cat. No.	Pipe Size	Wt. Lbs.	Suffix	Description
<input type="checkbox"/> 1102-G__SS	2 (50)	8.7	<input type="checkbox"/> 27	SEDIMENT BUCKET
<input type="checkbox"/> 1103-G__SS	3 (75)	9.3	<input type="checkbox"/> 31	BACKWATER VALVE
<input type="checkbox"/> 1104-G__SS	4 (100)	10.3	<input type="checkbox"/> 94	EXTENSION ADAPTER
			<input type="checkbox"/> 39	GALVANIZED IRON PARTS

OUTLETS

<input type="checkbox"/> NH	NO-HUB	<input type="checkbox"/> TY	TY-SEAL	<input type="checkbox"/> IC	INSIDE CAULK	<input type="checkbox"/> IPS	THREADED
-----------------------------	--------	-----------------------------	---------	-----------------------------	--------------	------------------------------	----------

AutoCad.dwg