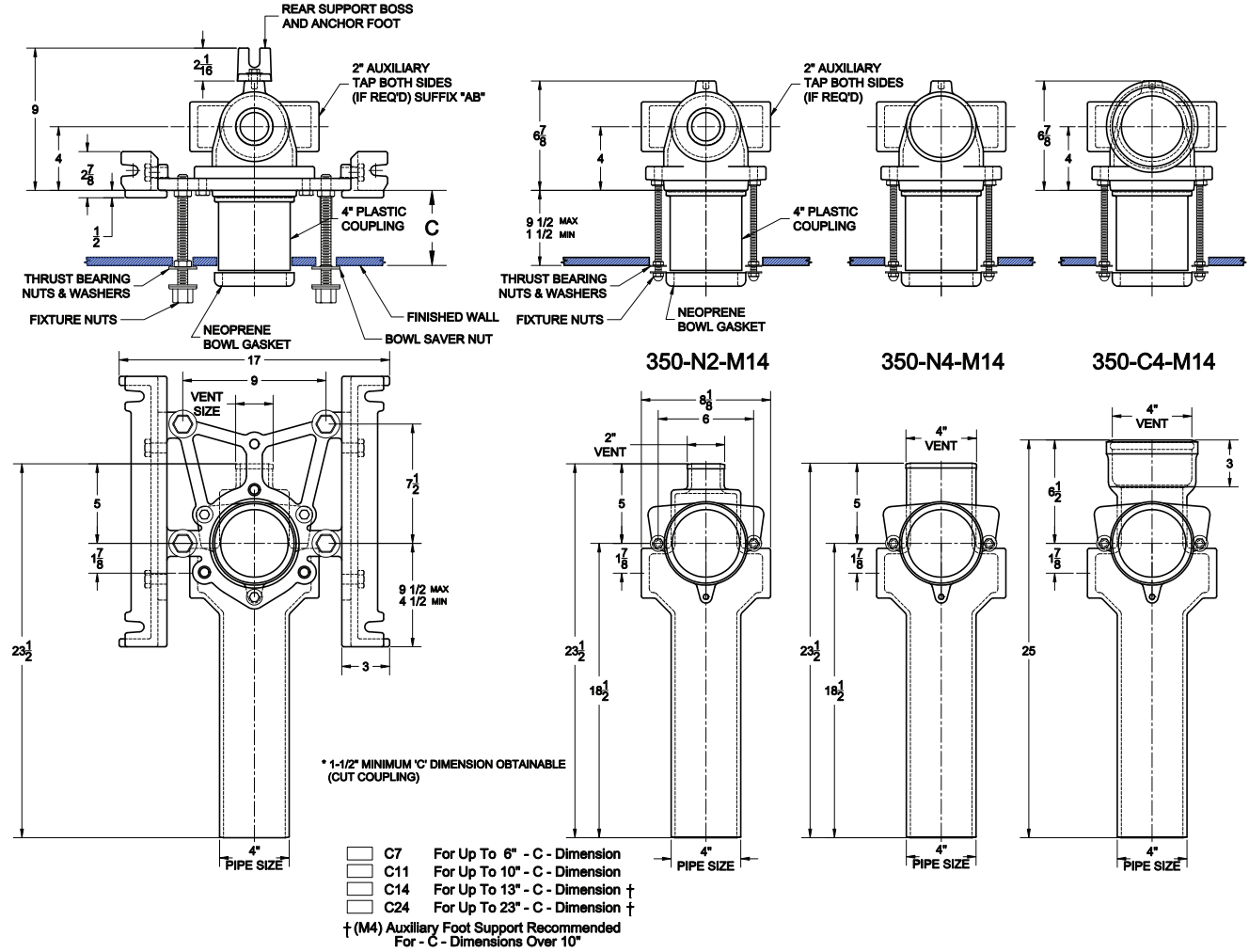


Closest Carriers

WADE

350 Series (Siphon Jet or Blowout)

No-Hub and SV Hub and Spigot single fixed vertical carrier-fitting.



No-Hub

Cat. No.	Vent Size	Wt. Lbs.
350N2	2	95
350N4	4	95
350N2, AB	2	95
350N4, AB	4	95

SV Hub & Spigot

Cat. No.	Vent Size	Wt. Lbs.
350C4	4	95
350C4, AB	4	95

(See Pages 1-38 through 1-43 for option details)



350N2
(4" Outlet,
2" Vent)