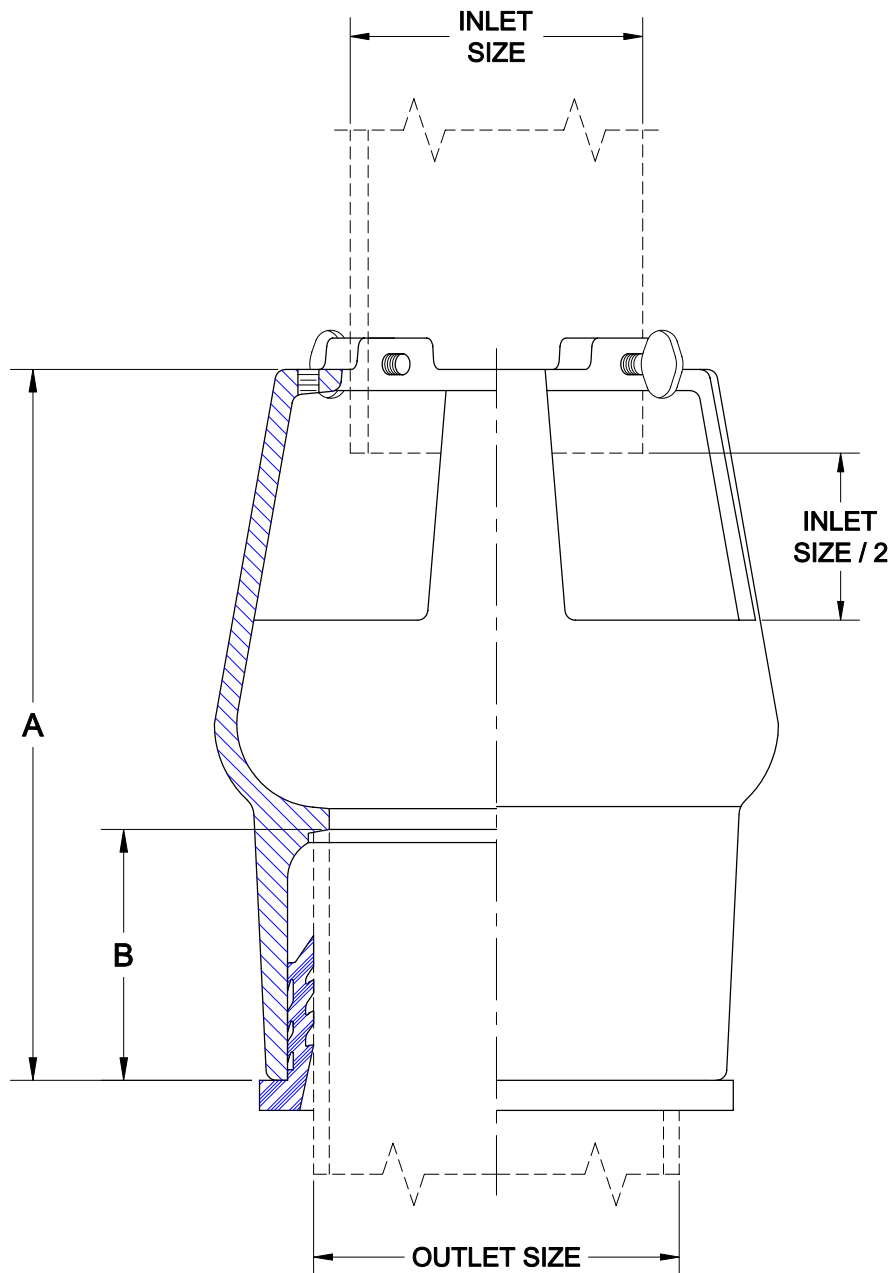


FIXED AIR GAP FITTING



2490

PAINTED CAST IRON FIXED AIR GAP FITTING
WITH THUMB SCREWS & TY-SEAL OUTLET



OUTLET SIZE	INLET SIZE	A	B TY-SEAL
2 (50)	1 1/2 (38)	7 5/8 (193.7)	2 1/2 (63.5)
3 (75)	2 (50)	8 3/8 (212.7)	2 3/4 (69.8)
4 (100)	3 (75)	9 1/8 (231.8)	3 (76.2)

OPTIONS

Cat. No.	Pipe Size	Wt. Lbs.	Suffix	Description
<input type="checkbox"/> 2492	2 (50)	7.0	<input type="checkbox"/> 39	GALVANIZED IRON PARTS
<input type="checkbox"/> 2493	3 (75)	9.0	<input type="checkbox"/> 179	SECURITY SCREWS
<input type="checkbox"/> 2494	4 (100)	11.0		

AutoCad.dwg