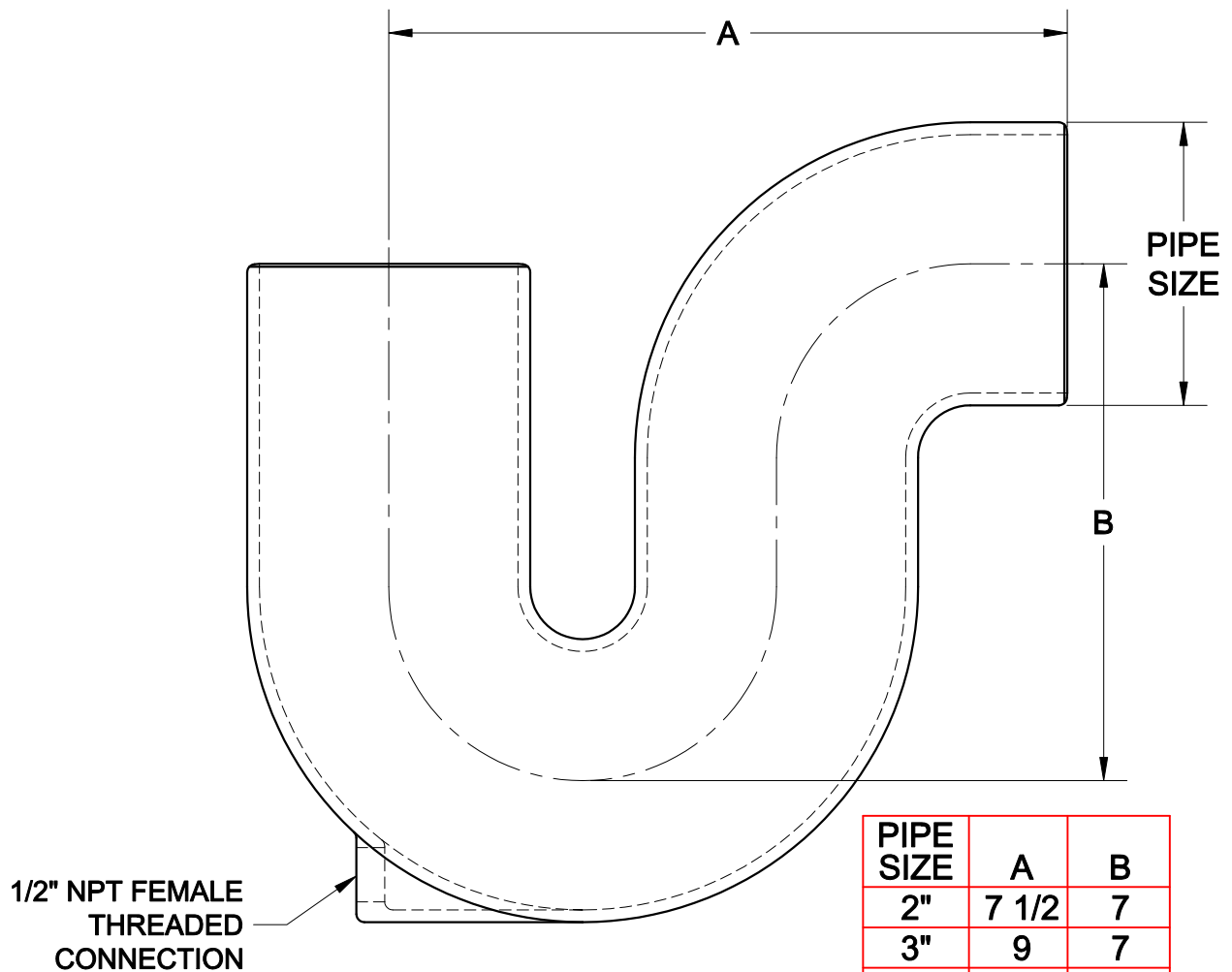


# FLOOR DRAIN



2450-NH-64

CAST IRON DEEP SEAP P-TRAP (2-4") WITH 1/2" NPT FLUSHING CONNECTION  
NO HUB INLET, SPIGOT SIDE OUTLET AND A.R.E. COATING INSIDE & OUTSIDE.



NOTE: 6" PIPE SIZE IS NOT DEEP SEAL

| Cat. No.                            | Pipe Size | Wt. Lbs. |
|-------------------------------------|-----------|----------|
| <input type="checkbox"/> 2452-NH-64 | 2         | 7.0      |
| <input type="checkbox"/> 2453-NH-64 | 3         | 14.0     |
| <input type="checkbox"/> 2454-NH-64 | 4         | 20.0     |
| <input type="checkbox"/> 2456-NH-64 | 6         | 43.0     |

AutoCad.dwg