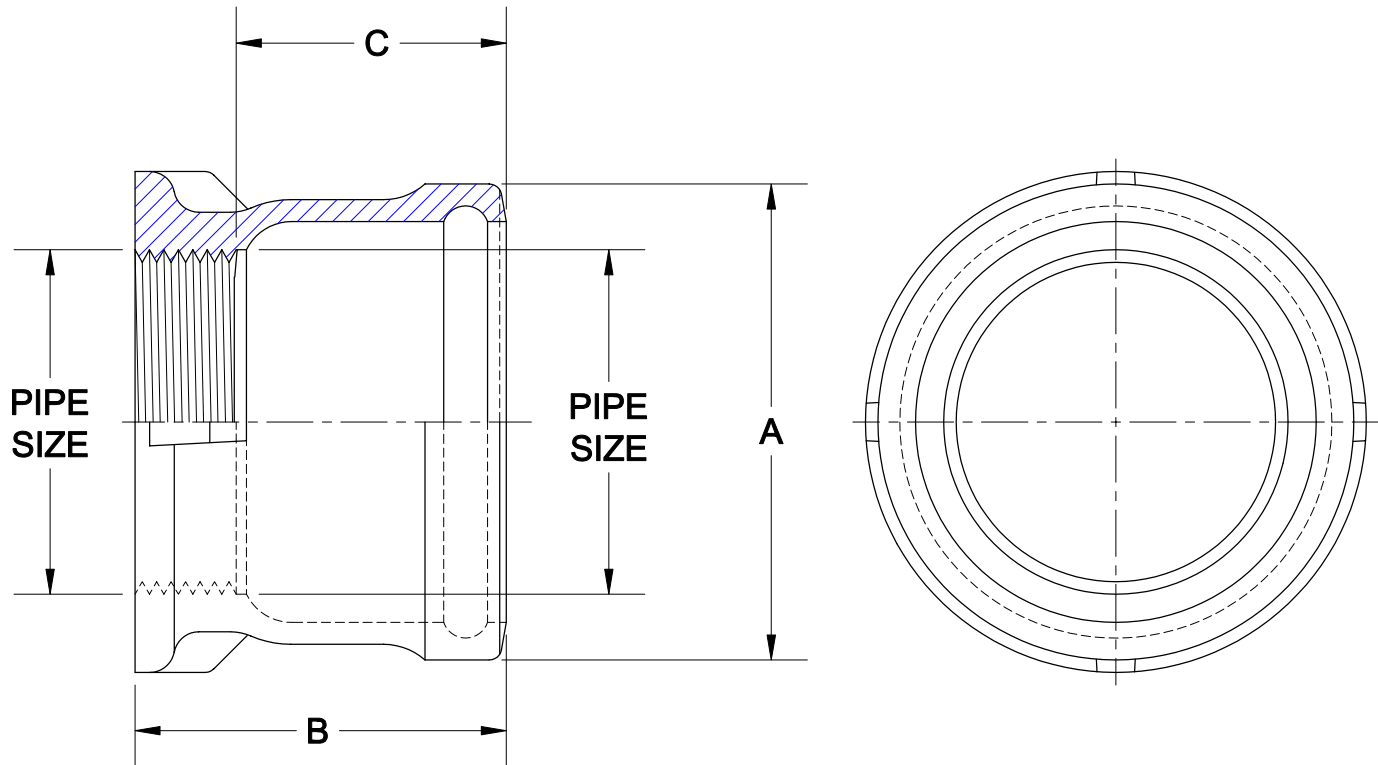


# HUB ADAPTER



2400-HT

CAST IRON TY-SEAL HUB ADAPTER WITH IPS FEMALE THREADED INLET.



PIPE SIZE	A	B	C
2 (50)	3-11/16 (93.6)	3-1/2 (88.9)	2-1/2 (63.5)
3 (75)	4-3/4 (120.6)	3-3/4 (95.2)	2-3/4 (69.8)
4 (100)	5-3/4 (146.0)	4 (101.6)	3 (76.2)

Cat. No.	Pipe Size	Wt. Lbs.	OPTIONS	
			Suffix	Description
<input type="checkbox"/> 2402-HT	2 (50)	13.8	<input type="checkbox"/> 39	GALVANIZED
<input type="checkbox"/> 2403-HT	3 (75)	21.9	<input type="checkbox"/> 64	A.R.E. COATED
<input type="checkbox"/> 2404-HT	4 (100)	31.6		

AutoCad.dwg