

WOOD DECK DRAIN



Approval Date

Customer Approval

Job Location

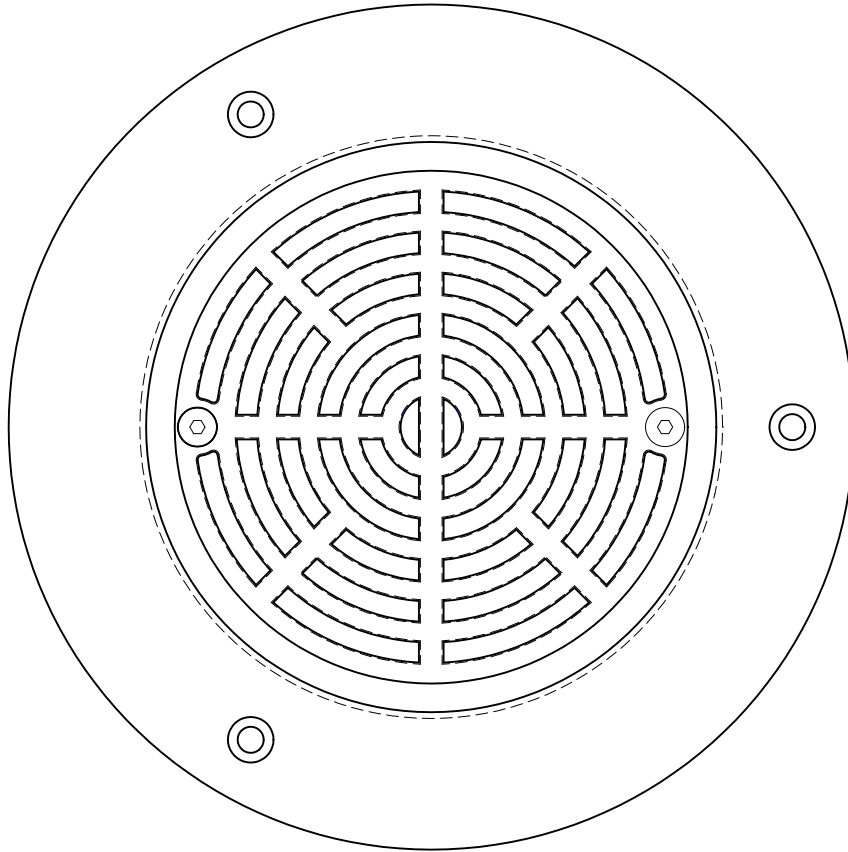
Job Name

Wade Division / Tyler Pipe Assumes No Responsibility For Superseded or Voided Data

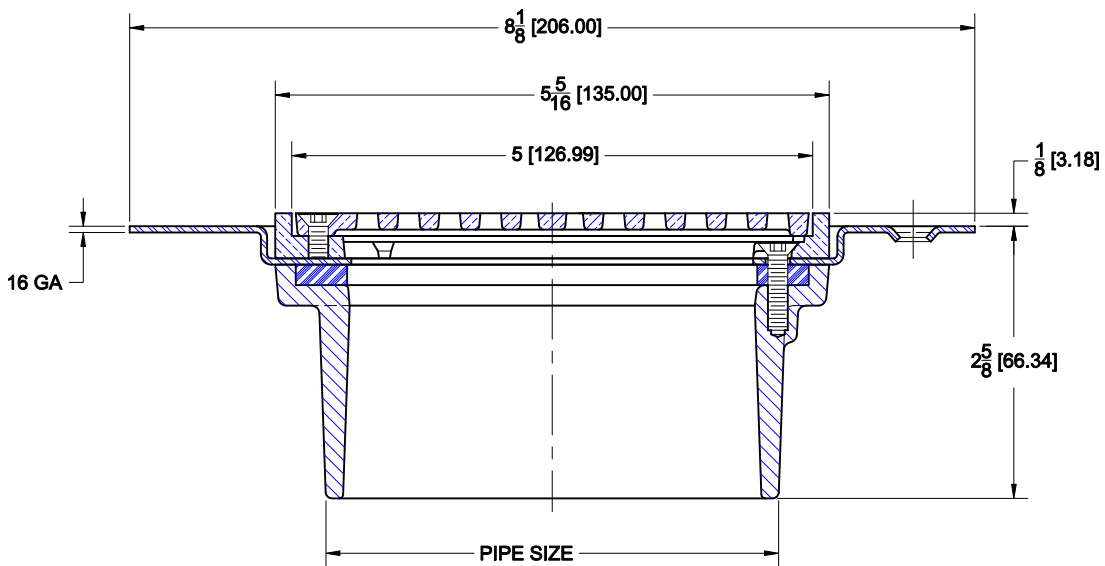
Dimensional Data (Inches/mm) are Subject to Manufacturers Tolerance and Change Without Notice.

910-1

CAST IRON WOOD DECK DRAIN WITH POWDER COATED STEEL ANCHOR FLANGE, NEOPRENE GASKET, SATIN FINISH NICKEL BRONZE FRAME & GRATE AND NO-HUB BOTTOM OUTLET.



GRATE FREE AREA = 6.92 SQ.IN.



OPTIONS

Catalog No.	Pipe Size	Outlet Style	Suffix	Description
<input type="checkbox"/> 913-1	3 (75)	NO-HUB	<input type="checkbox"/> 39	GALVANIZED IRON PARTS
<input type="checkbox"/> 914-1	4 (100)	NO-HUB	<input type="checkbox"/> 64	A.R.E. COATED IRON PARTS

AutoCad.dwg