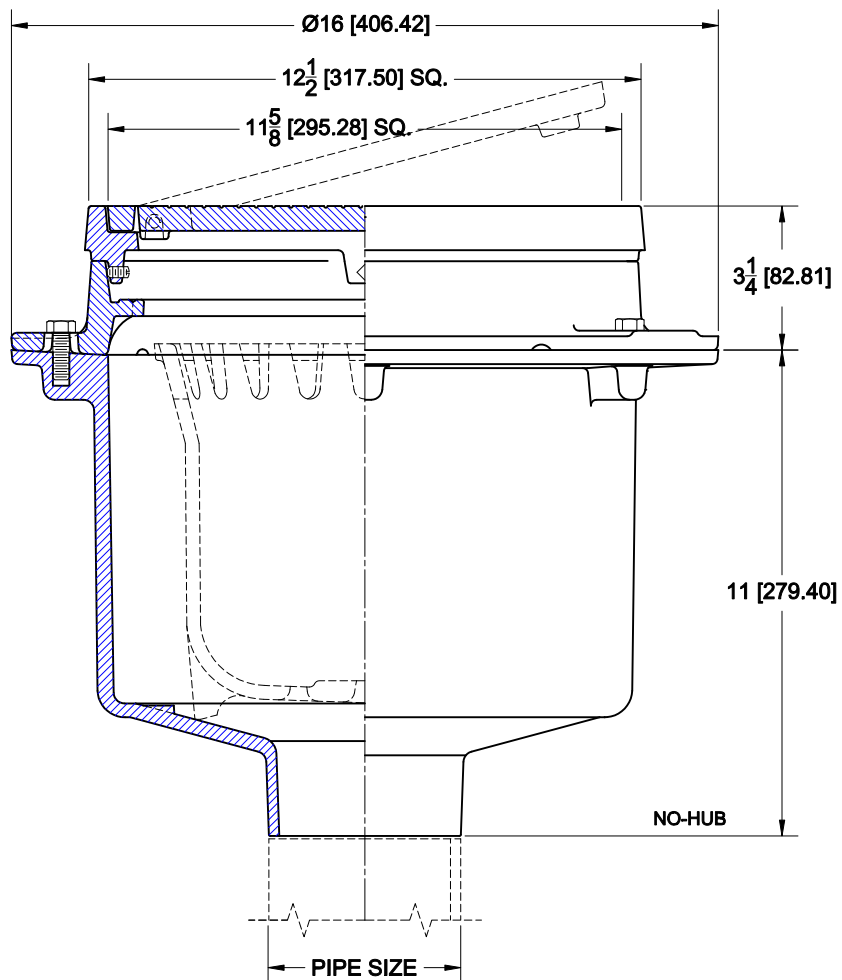
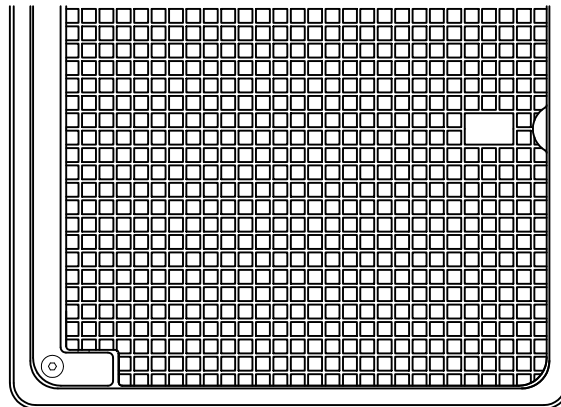


# SQUARE FLOOR DRAINS



2320-14-18

CAST IRON SQUARE FLOOR DRAIN WITH SOLID HINGED COVER, CLAMP DEVICE, 1/2" TRAP PRIMER CONNECTION AND NO-HUB BOTTOM OUTLET.



## OPTIONS

| Cat. No.                            | Pipe Size | Wt. Lbs. | Suffix                      | Description                           |
|-------------------------------------|-----------|----------|-----------------------------|---------------------------------------|
| <input type="checkbox"/> 2323-14-18 | 3 (75)    | 92.0     | <input type="checkbox"/> 1  | SATIN FINISH NICKEL BRONZE VENEER TOP |
| <input type="checkbox"/> 2324-14-18 | 4 (100)   | 92.0     | <input type="checkbox"/> 5  | VANDAL PROOF                          |
| <input type="checkbox"/> 2326-14-18 | 5 (125)   | 92.0     | <input type="checkbox"/> 27 | SEDIMENT BUCKET (ALUMINUM)            |
| <input type="checkbox"/> 2328-14-18 | 8 (200)   | 93.0     | <input type="checkbox"/> 31 | BACKWATER VALVE (2,3,4" ONLY)         |
|                                     |           |          | <input type="checkbox"/> 39 | GALVANIZED IRON PARTS                 |

ANSI LOAD RATING - SD (SPECIAL DUTY) 16,000 LBS

AutoCad.dwg