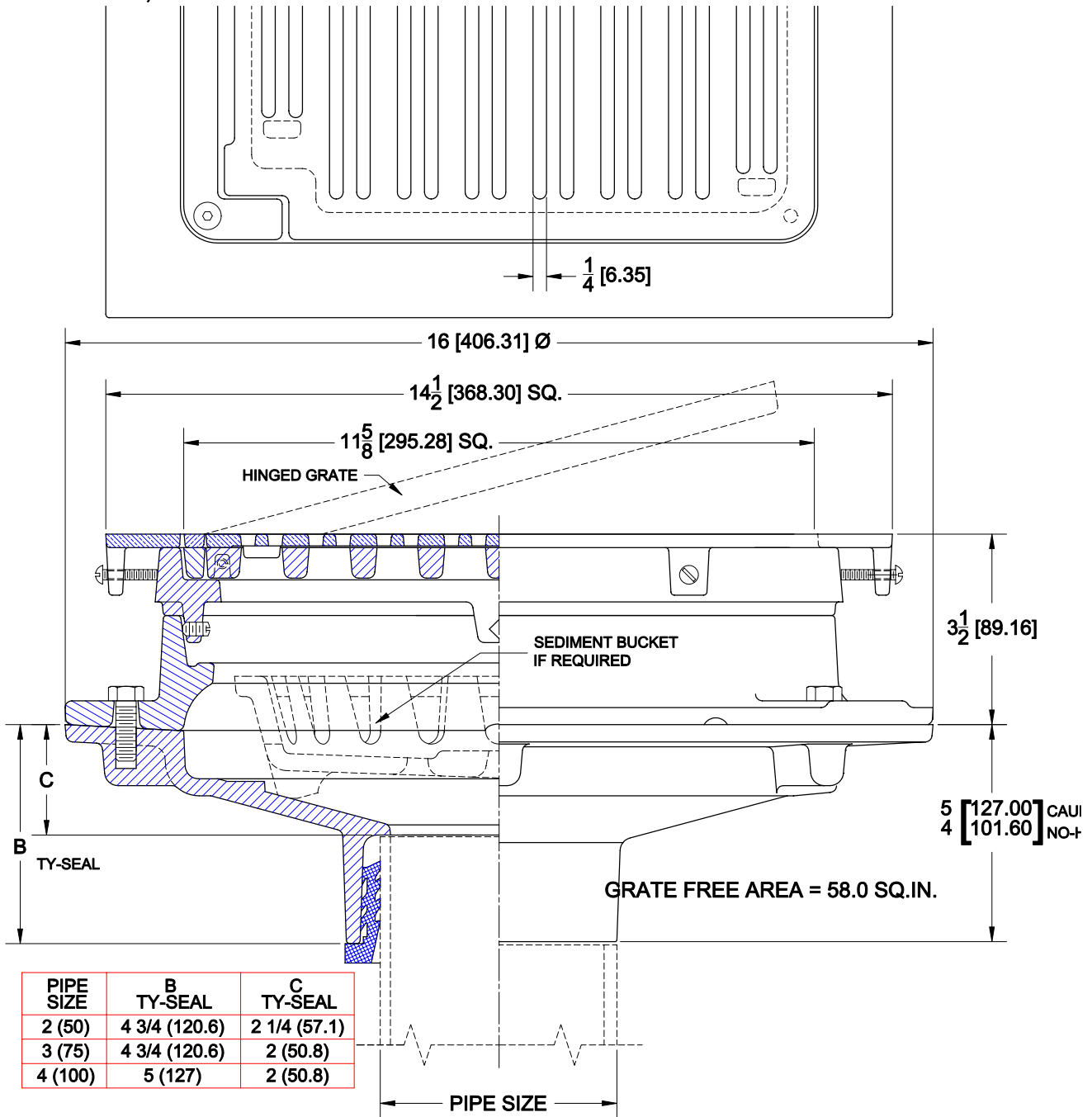


SQUARE FLOOR DRAINS



2300-1-14 (HP)

CAST IRON SQUARE FLOOR DRAIN WITH HINGED DUCTILE IRON GRATE, NICKEL BRONZE VENEER, CLAMP DEVICE, BOTTOM OUTLET & PLUGGED 1/2" TRAP PRIMER CONNECTION.



OPTIONS

Cat. No.	Pipe Size	Wt. Lbs.	Suffix	Description
<input type="checkbox"/> 2302-1-14	2 (50)	61.0	<input type="checkbox"/> 5	VANDAL PROOF
<input type="checkbox"/> 2303-1-14	3 (75)	61.0	<input type="checkbox"/> 19	LOCKING DEVICE
<input type="checkbox"/> 2304-1-14	4 (100)	61.0	<input type="checkbox"/> 27	SEDIMENT BUCKET
<input type="checkbox"/> 2306-1-14	6 (150)	62.0	<input type="checkbox"/> 31	BACKWATER VALVE
<input type="checkbox"/> 2308-1-14	8 (200)	63.0	<input type="checkbox"/> 39	GALVANIZED IRON PARTS
<input type="checkbox"/> 2309-1-14	10 (250)	64.0		

OUTLETS

- NH NO-HUB TY TY-SEAL IC INSIDE CAULK

AutoCad.dwg