

# CORNICE DRAIN



Approval  
Date

Customer  
Approval

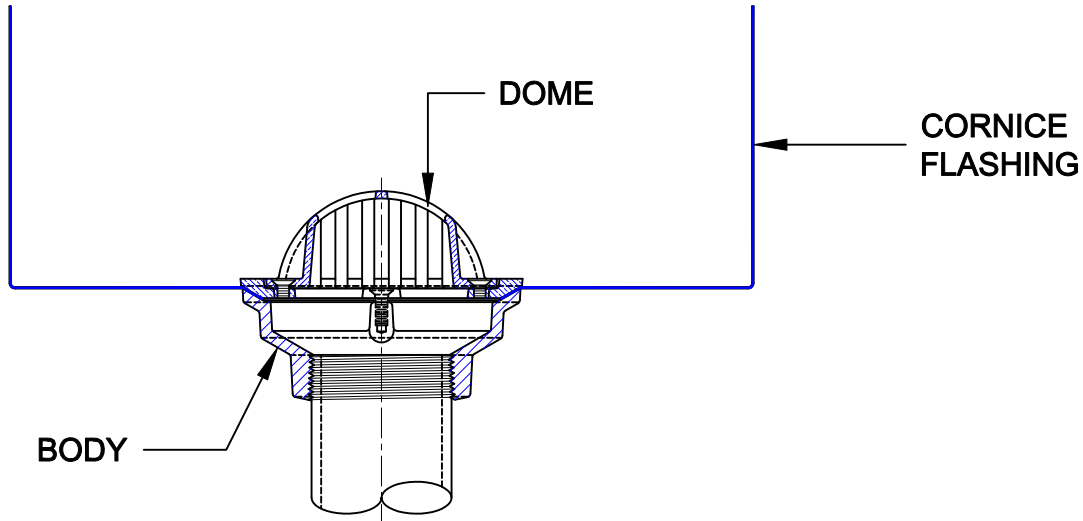
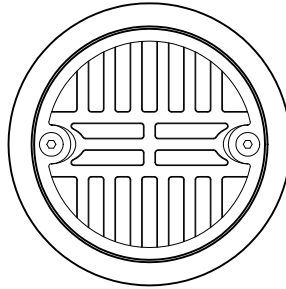
Job  
Location

Job  
Name

Wade Division / Tyler Pipe Assumes No Responsibility For Superseded or Voided Data

3240-BD

CAST IRON ROOF DRAIN WITH FLANGE, BRONZE FLASHING CLAMP, BRONZE MUSHROOM DOME AND IPS THREADED BOTTOM OUTLET.



## INSTALLATION

The Wade 3240-BD is used for cornice flashing systems.

1. At the predetermined location, cut a circular opening into the cornice flashing to receive the drain. Bevel flashing to fit between drain body and flashing clamp. Apply Sealant to both surfaces.
2. Securely clamp cornice flashing between ring and body.
3. The dome is installed by a setting into the ring and and securing with two screws.
4. The drain piping can be installed.