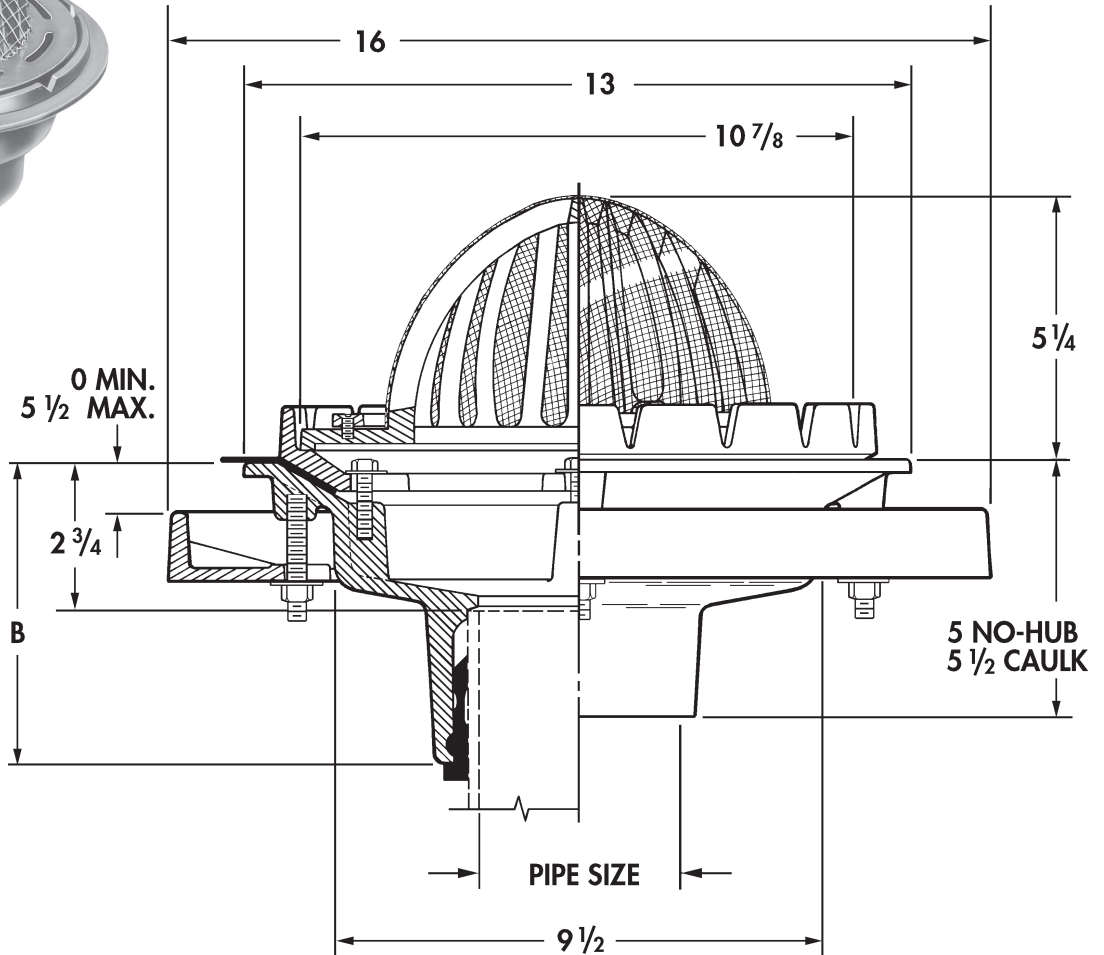


# Planter Drains

**WADE**

**3220PA** Cast iron planting area drain with flashing ring and dome with secured stainless steel screen.



Cat. No.	Pipe Size	B Ty-Seal	Wt. Lbs.
<input type="checkbox"/> 3222PA	2	$5\frac{1}{2}$	30
<input type="checkbox"/> 3223PA	3	$5\frac{3}{4}$	30
<input type="checkbox"/> 3224PA	4	$5\frac{3}{4}$	31
<input type="checkbox"/> 3225PA	5	-	32
<input type="checkbox"/> 3226PA	6	-	32

## OUTLET:

- TY ..... Ty-Seal (2", 3", 4")
- NH ..... No-Hub
- IC ..... Inside Caulk

## OPTIONS

- | Suffix                      | Description                              |
|-----------------------------|--|
| <input type="checkbox"/> 39 | Galvanized Iron Parts (Includes CI Dome) |
| <input type="checkbox"/> 52 | Bearing Pan                              |
| <input type="checkbox"/> 53 | Deck Clamp                               |
| <input type="checkbox"/> 54 | Bronze Flashing Collar                   |