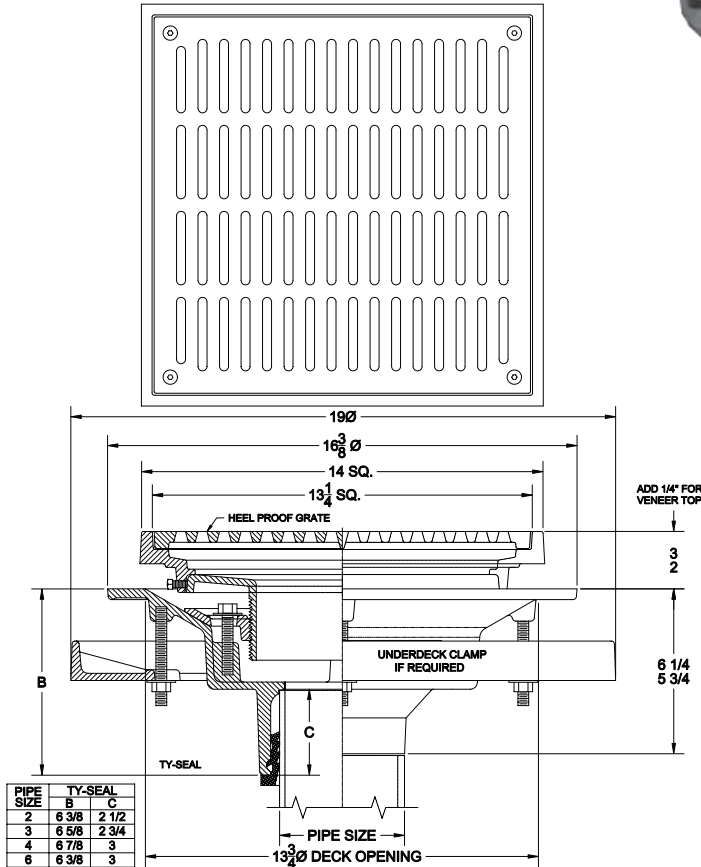
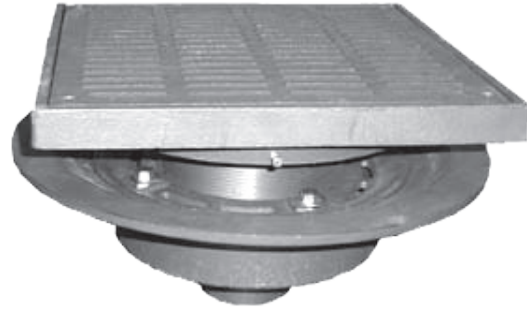


Promenade Deck Drain

WADE

3100-AEM Painted cast iron promenade deck drain with flange, threaded adjustable collar, flashing clamp ring, ductile iron heel proof grate and bottom outlet.
Grate Free Area = 53.4 Sq.In.



Cat. No.	Pipe Size	Dimensions		Wt. Lbs.
		B	C	
<input type="checkbox"/> 3102-AEM	2	6 3/8	2 1/2	70.0
<input type="checkbox"/> 3103-AEM	3	6 5/8	2 3/4	72.0
<input type="checkbox"/> 3104-AEM	4	6 7/8	3	73.0
<input type="checkbox"/> 3105-AEM	5	N/A	N/A	75.0
<input type="checkbox"/> 3106-AEM	6	6 3/8	3	76.0

OPTIONS

Suffix	Description
<input type="checkbox"/> 1.....	Satin Finish Nickel Bronze Veneer Top*
<input type="checkbox"/> 5.....	Vandal Proof (Secured Grate)
<input type="checkbox"/> 39.....	Galvanized Iron Parts
<input type="checkbox"/> 52.....	Bearing Pan
<input type="checkbox"/> 53.....	Under Deck Clamp

* Veneer top adds 1/4" to height dimensions.

OUTLET:

- NH No-Hub
- TY Ty-Seal (2", 3", 4", 6")
- IC Inside Caulk
- IPS Threaded

VARIATIONS

Suffix	Description
<input type="checkbox"/> DF ...	Fixed Extension (1", 2", 3", 4")
<input type="checkbox"/> DFS..	Perforated S/S Extension (2", 3", 4")
<input type="checkbox"/> ADF .	Adjustable Extension (1 3/4-3 1/2)