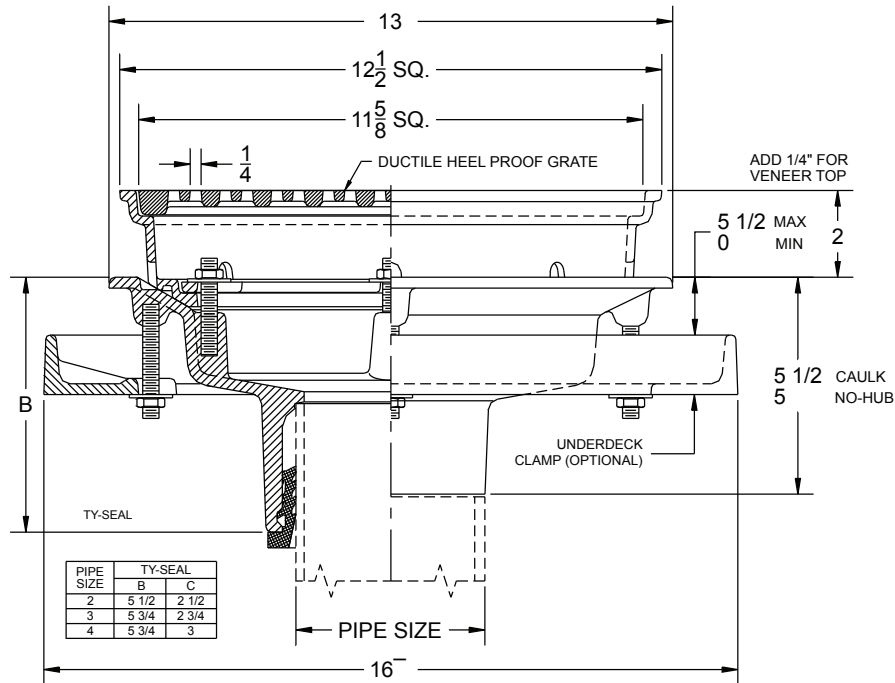


Deck Drains



3100 (2"-6") Cast iron deck drain with flashing ring integral with gravel stop and square promenade top with ductile iron heel proof grate or nickel bronze veneer.



Cat. No.	Pipe Size	ANSI* Load Class	B Ty-Seal	C Ty-Seal	Free Area Sq. In.	Wt. Lbs.
<input type="checkbox"/> 3102	2	SD	6 3/8	3 7/8	40.83	63
<input type="checkbox"/> 3103	3	SD	6 5/8	3 7/8	40.83	65
<input type="checkbox"/> 3104	4	SD	6 7/8	3 7/8	40.83	66
<input type="checkbox"/> 3105	5	SD	-	-	40.83	87
<input type="checkbox"/> 3106	6	SD	6 3/8	3 3/8	40.83	87

*SD=Special Duty (Over 10,000 lbs.)

OUTLET:

- TY..... Ty-Seal (2", 3", 4", 6")
- NH No-Hub
- IC Inside Caulk

OPTIONS

Suffix	Description
<input type="checkbox"/> 1.....	Nickel Bronze Veneer Top
<input type="checkbox"/> 5.....	Vandal Proof
<input type="checkbox"/> 39.....	Galvanized Iron Parts
<input type="checkbox"/> 52.....	Bearing Pan
<input type="checkbox"/> 53.....	Deck Clamp
<input type="checkbox"/> 179.....	Security Screws

VARIATIONS

Suffix	Description
<input type="checkbox"/> DF ...	Extension Flange (1", 2", 3")
<input type="checkbox"/> DFS..	Perforated Extension (2", 3", 4")
<input type="checkbox"/> ADF .	Adjustable Extension (1 3/4-3 1/2)

(55) Two ea. Flashing Collar Adapters (Adj. 1" - 1 1/4" ea.)