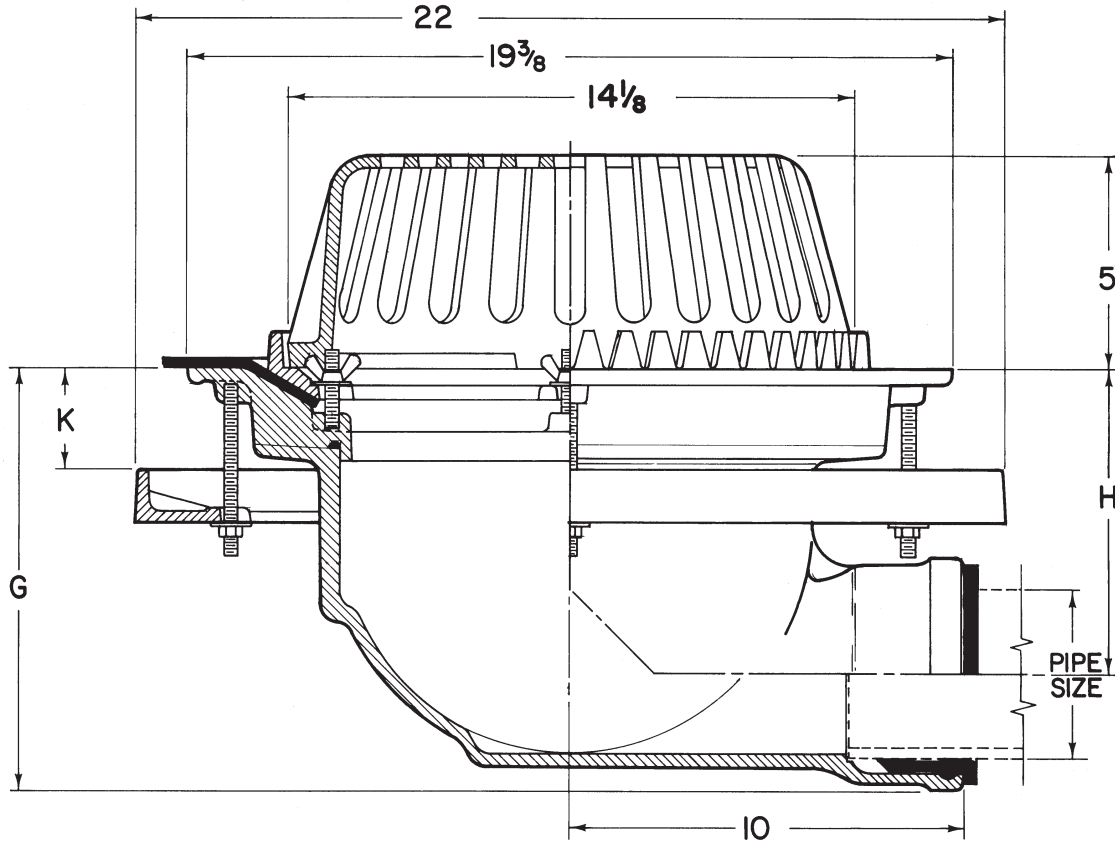


# Roof Drains w/Side outlet

**WADE**

**3030** Cast iron roof drain with flashing ring and gravel stop, cast iron mushroom dome.



Cat. No.	Pipe Size	G	H	Min.	K	Max.	Wt. Lbs.
<input type="checkbox"/> 3033	3	11 1/4	8 3/4	0"	6"	6"	102
<input type="checkbox"/> 3034	4	11	8	0"	4 1/2"	4 1/2"	102
<input type="checkbox"/> 3036	6	11 1/4	7 1/4	0"	3"	3"	102

**OUTLET:**

TY..... Ty-Seal

**OPTIONS**

Suffix	Description
<input type="checkbox"/> 3.....	Rough Bronze Dome
<input type="checkbox"/> 5.....	Vandal Proof
<input type="checkbox"/> 39.....	Galvanized Iron Parts
<input type="checkbox"/> 46.....	Aluminum Dome
<input type="checkbox"/> 52.....	Bearing Pan/Sump Receiver
<input type="checkbox"/> 53.....	Deck Clamp

**VARIATIONS**

Suffix	Description
<input type="checkbox"/> DF.....	Extension Flange (1", 2", 3", 4")
<input type="checkbox"/> DFS.....	Perforated Extension (2"- 4")
<input type="checkbox"/> DP.....	Perforated Gravel Stop
<input type="checkbox"/> D.....	Dam (2" High)