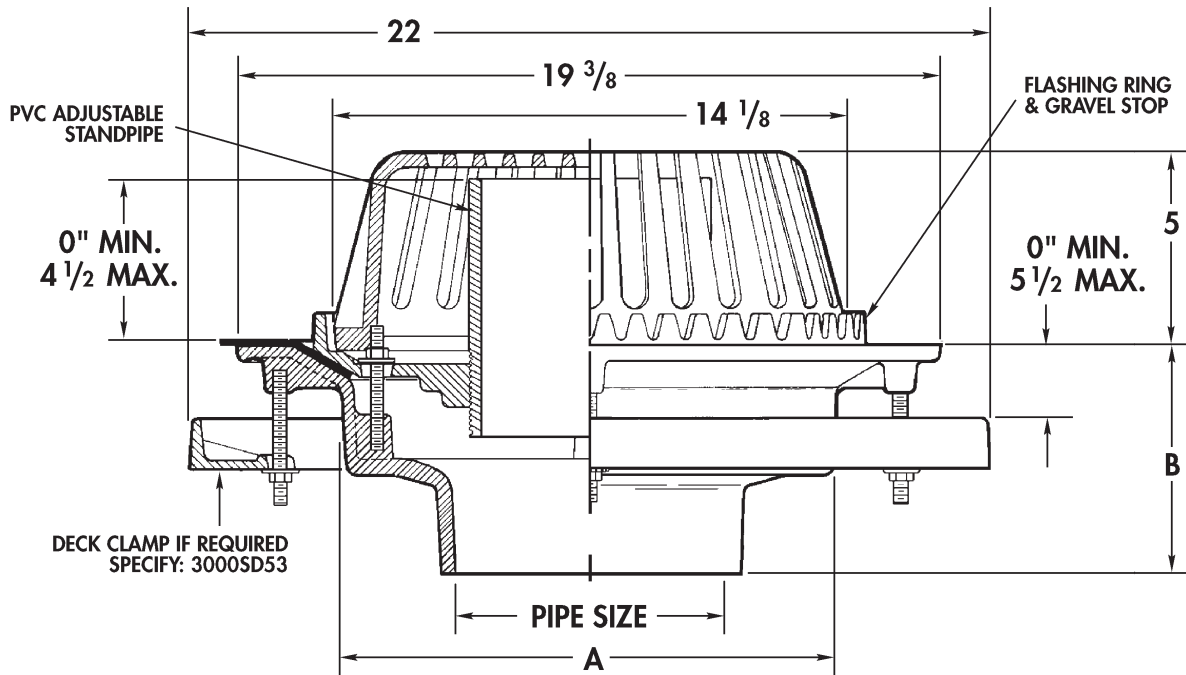


Large Roof Drains w/Standpipe

WADE

3000SD (8, 10 & 12" Outlets)

Cast iron roof drain with flashing ring and gravel stop, adjustable 6-in. dia. plastic standpipe and cast iron mushroom dome.



(3000 DRAIN WITH OPTION SD ADDED)

Cat. No.	Pipe Size	A	B	Wt. Lbs.
<input type="checkbox"/> 3008SD	8	13 ³ / ₄	6 ¹ / ₄	58
<input type="checkbox"/> 3009SD	10	16 ¹ / ₄	5 ³ / ₄	55
<input type="checkbox"/> 3012SD	12	16 ¹ / ₄	6 ¹ / ₄	55

OUTLET:

- NH No-Hub
- IPS Thread (8" Only)

OPTIONS

Suffix	Description
<input type="checkbox"/> 3.....	Rough Bronze Dome
<input type="checkbox"/> 5.....	Vandal Proof
<input type="checkbox"/> 39.....	Galvanized Iron Parts
<input type="checkbox"/> 46.....	Aluminum Dome
<input type="checkbox"/> 52.....	Bearing Pan/Sump Receiver
<input type="checkbox"/> 53.....	Deck Clamp

VARIATIONS

Suffix	Description
<input type="checkbox"/> AE.....	Adjustable Extension 1-6" Adj.)
<input type="checkbox"/> DF	Extension Flange (1", 2", 3", 4")