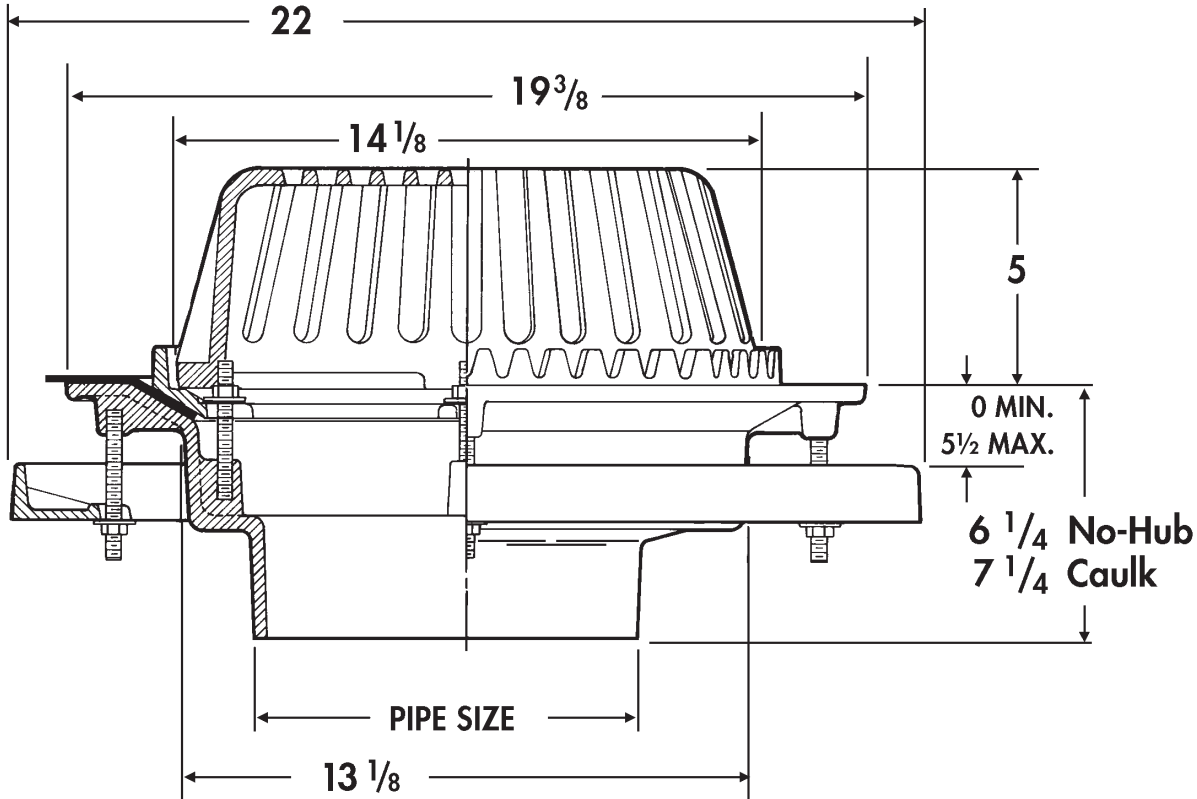


Large Roof Drains



3000 (8, 10 & 12" Outlets)

Cast iron roof drain with flange, flashing ring with gravel stop and cast iron mushroom dome.



Cat. No.	Pipe Size	Wt. Lbs.
<input type="checkbox"/> 3008	8	65
<input type="checkbox"/> 3009	10	65
<input type="checkbox"/> 3012	12	65

OUTLET:

- NH No-Hub
- IPS Thread (8" Only)
- IC Inside Caulk (8"-10" Only)

OPTIONS

Suffix	Description
<input type="checkbox"/> 3.....	Rough Bronze Dome
<input type="checkbox"/> 5.....	Vandal Proof
<input type="checkbox"/> 39.....	Galvanized Iron Parts
<input type="checkbox"/> 46.....	Aluminum Dome
<input type="checkbox"/> 52.....	Bearing Pan/Sump Receiver
<input type="checkbox"/> 53.....	Deck Clamp

VARIATIONS

Suffix	Description
<input type="checkbox"/> DF	Extension Flange (1", 2", 3", 4")
<input type="checkbox"/> DFS.....	Perforated Extension (2", 4")
<input type="checkbox"/> DP	Perforated Gravel Stop
<input type="checkbox"/> D	Dam (2" High)