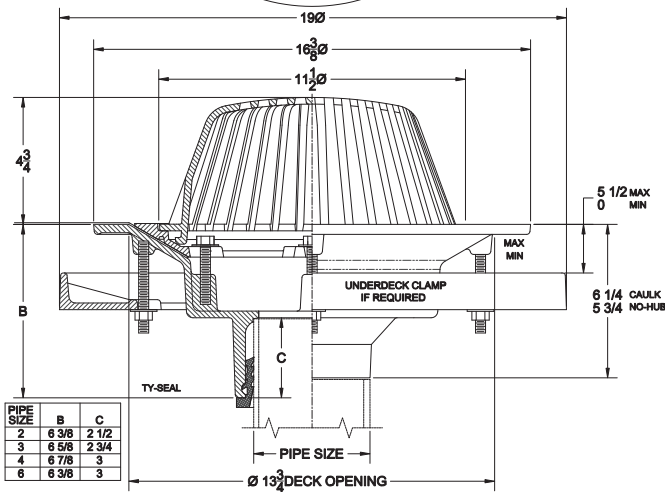
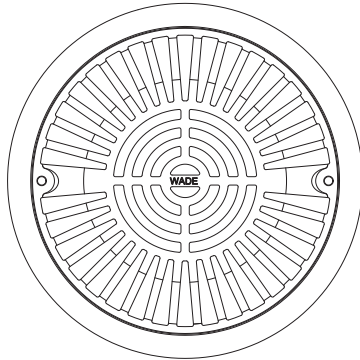


Large Roof Drains

WADE

3000LGS

Cast iron roof drain with flange, flashing ring, polypropylene mushroom dome and bottom outlet designed for membranes which **do not require gravel ballast**.



MODEL

Cat. No.	Pipe Size	Wt. Lbs.
<input type="checkbox"/> 3002LGS	2	29
<input type="checkbox"/> 3003LGS	3	30
<input type="checkbox"/> 3004LGS	4	31
<input type="checkbox"/> 3005LGS	5	32
<input type="checkbox"/> 3006LGS	6	32
<input type="checkbox"/> 3008LGS	8	34

OUTLET:

- TY Ty-Seal (2", 3", 4", 6")
- NH No-Hub
- IC Inside Caulk
- IPS Thread

OPTIONS

Suffix	Description
<input type="checkbox"/> 3	Rough Bronze Dome
<input type="checkbox"/> 5	Vandal Proof
<input type="checkbox"/> 39	Galvanized Iron w/Poly Dome
<input type="checkbox"/> 42	Cast Iron Dome
<input type="checkbox"/> 42,39	Galvanized w/Cast Iron Dome
<input type="checkbox"/> 46	Aluminum Dome
<input type="checkbox"/> 52	Bearing Pan/Sump Receiver
<input type="checkbox"/> 53	Deck Clamp

VARIATIONS

Suffix	Description
<input type="checkbox"/> DF	Extension Flange (1", 2", 3", 4")
<input type="checkbox"/> DFS	Perforated Extension (2", 3", 4")
<input type="checkbox"/> DP	Perforated Gravel Stop
<input type="checkbox"/> D	Dam (2" High)