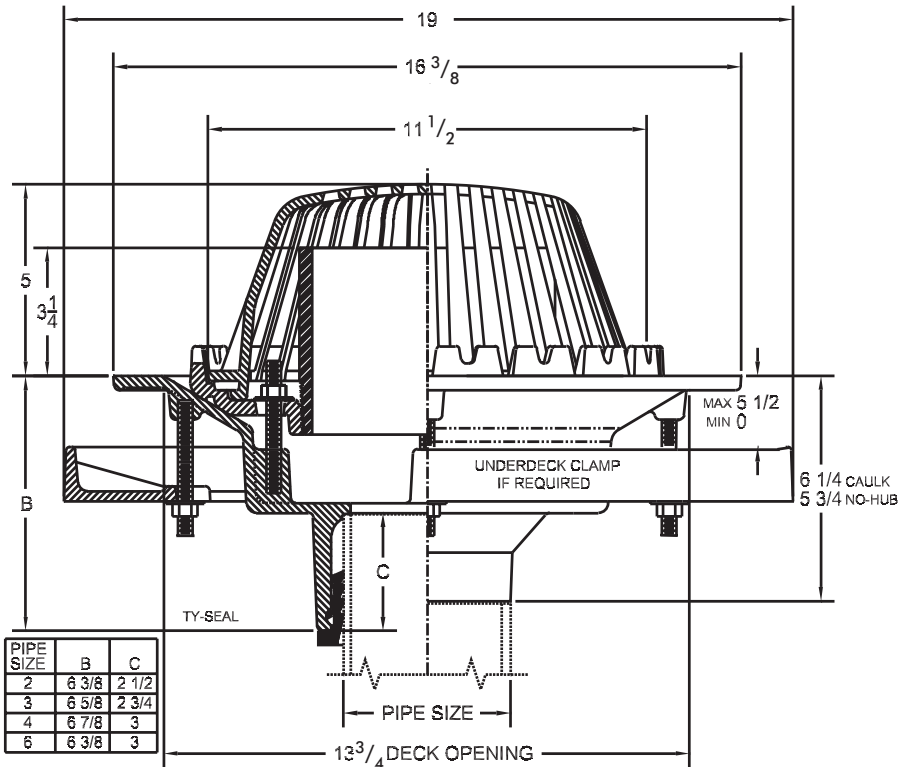
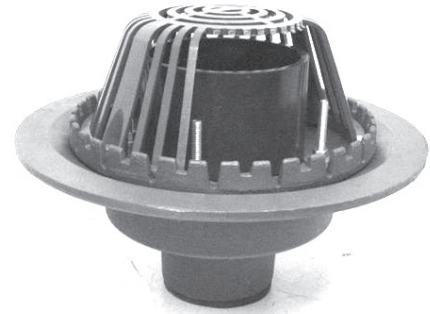


Roof Drains w/Standpipe



3000SD (2 - 8" Outlets)

Cast iron roof drain with flashing ring and gravel stop, adjustable 6-in. dia. plastic standpipe and polypropylene mushroom dome.



(3000 DRAIN WITH OPTION SD ADDED)

Cat. No.	Pipe Size	B Ty-Seal	C Ty-Seal	Wt. Lbs.
<input type="checkbox"/> 3002SD	2	6 3/8	3 7/8	55
<input type="checkbox"/> 3003SD	3	6 5/8	3 7/8	58
<input type="checkbox"/> 3004SD	4	6 7/8	3 7/8	59
<input type="checkbox"/> 3005SD	5	-	-	79
<input type="checkbox"/> 3006SD	6	6 3/8	3 3/8	79
<input type="checkbox"/> 3008SD	8	-	-	-

OUTLET:

- TY..... Ty-Seal (2", 3", 4", 6")
- NH No-Hub
- IC Inside Caulk (2"-6")
- IPS Thread

OPTIONS

Suffix	Description
<input type="checkbox"/> 3.....	Rough Bronze Dome
<input type="checkbox"/> 5.....	Vandal Proof
<input type="checkbox"/> 39.....	Galvanized Iron Parts
<input type="checkbox"/> 42.....	Cast Iron Dome
<input type="checkbox"/> 46.....	Aluminum Dome
<input type="checkbox"/> 52.....	Bearing Pan/Sump Receiver
<input type="checkbox"/> 53.....	Deck Clamp

VARIATIONS

Suffix	Description
<input type="checkbox"/> AE.....	Adjustable Extension (1-6" Adj.)
<input type="checkbox"/> DF	Extension Flange (1", 2", 3", 4")
<input type="checkbox"/> ADF	Adjustable Extension (1 3/4-3 1/2)