

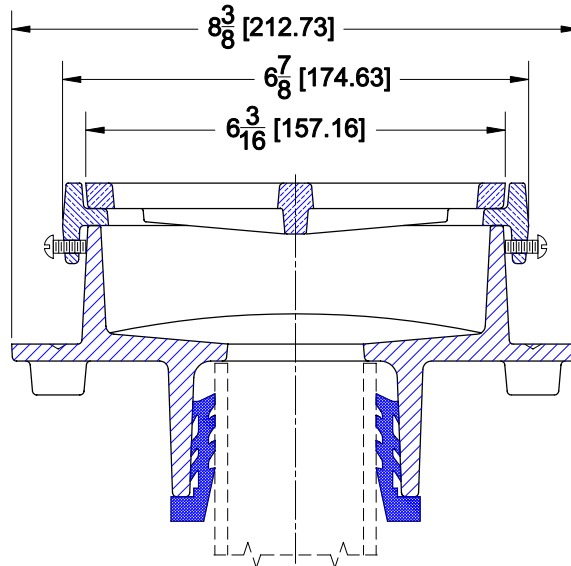
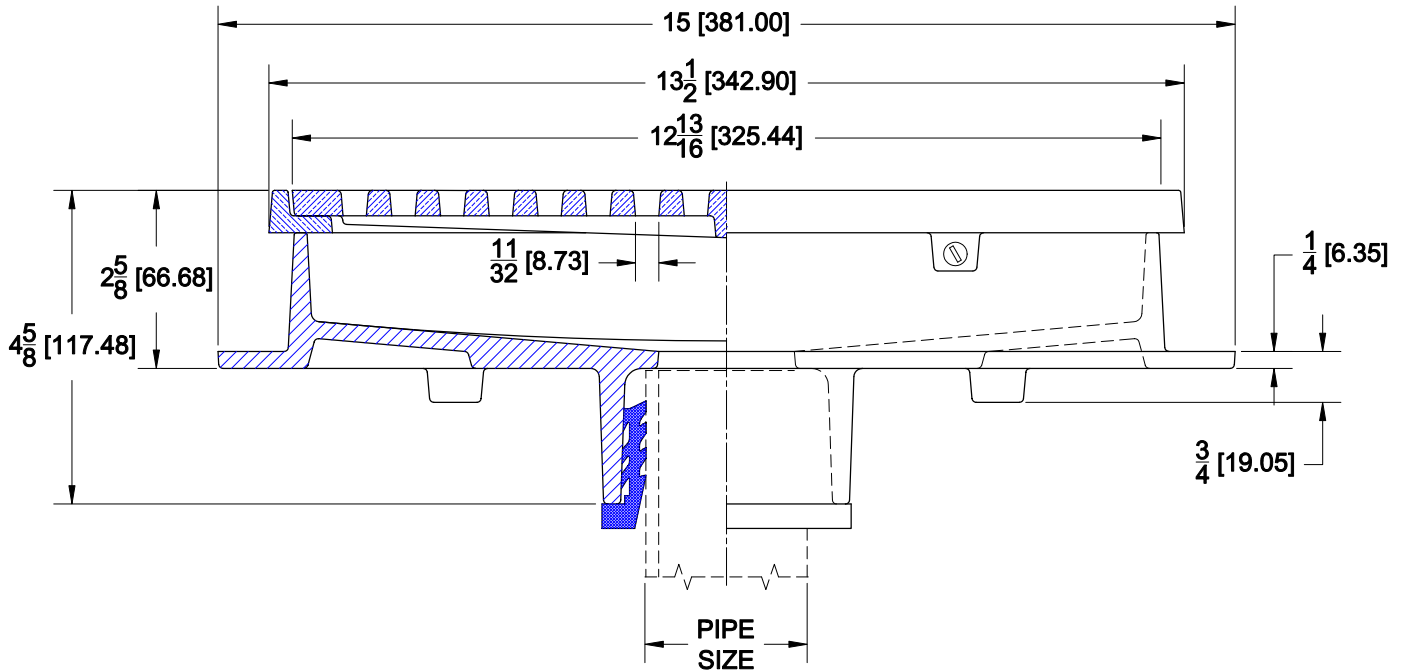
RECTANGULAR FLOOR DRAIN



1760-1

CAST IRON RECTANGULAR FLOOR/GUTTER DRAIN WITH TY-SEAL BOTTOM
OUTLET AND SATIN NICKEL BRONZE FRAME AND GRATE.

ANSI LOAD CLASS - LD LIGHT DUTY (UNDER 2,000 LBS.)
GRATE FREE AREA = 27.8 SQ.IN.



OPTIONS

Cat. No.	Pipe Size	Wt. Lbs.	Suffix	Description
<input type="checkbox"/> 1762-1	2 (50)	30.0	<input type="checkbox"/> 26	CLAMP DEVICE
<input type="checkbox"/> 1763-1	3 (75)	30.0	<input type="checkbox"/> 39	GALVANIZED IRON PARTS
<input type="checkbox"/> 1764-1	4 (100)	30.0	<input type="checkbox"/> 179	SECURITY SCREWS

AutoCad.dwg