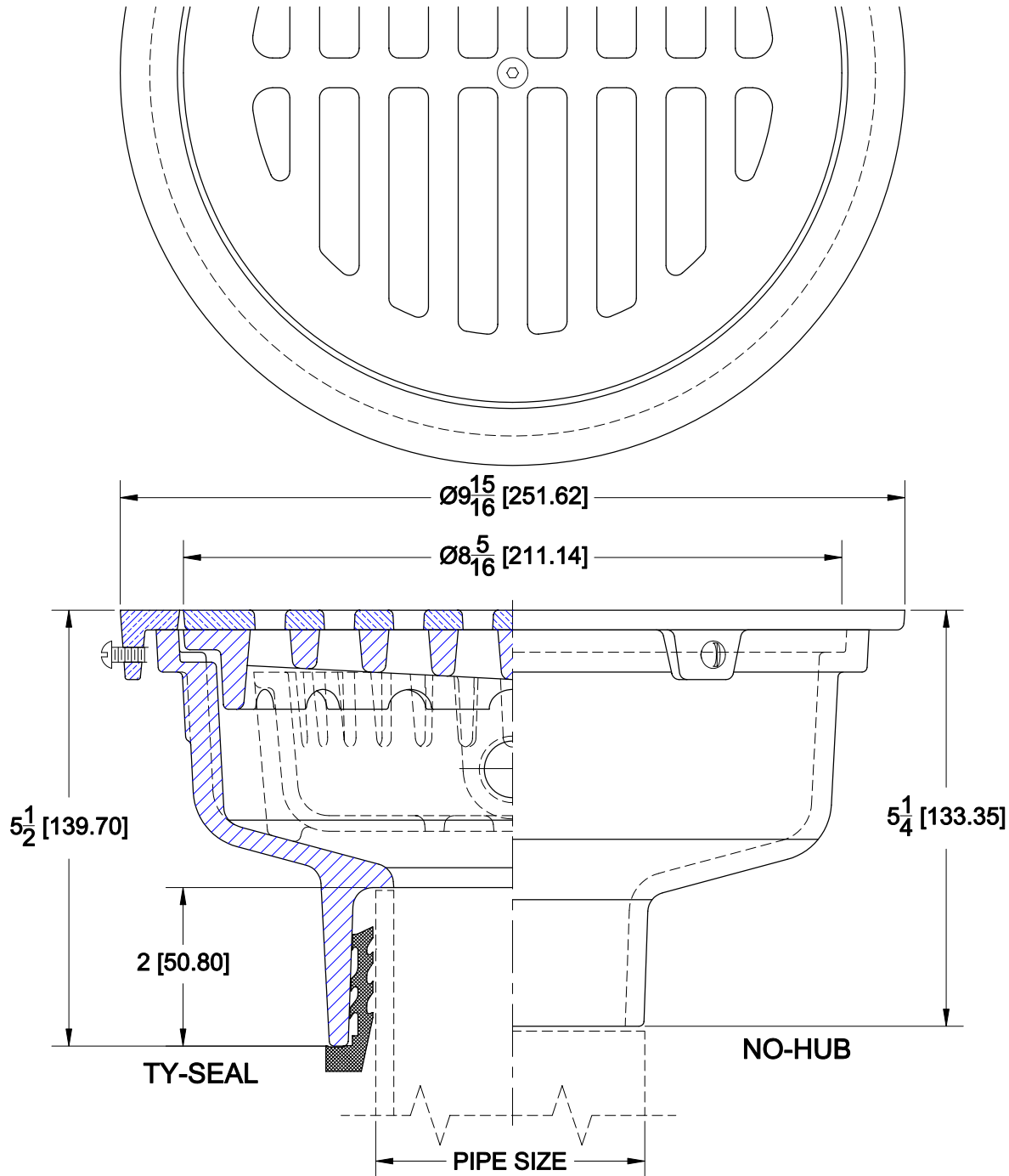


# AREA DRAIN



1640-1

PAINTED CAST IRON AREA DRAIN WITH DUCTILE IRON TRACTOR GRATE, SATIN NICKEL BRONZE VENEER, 1/2" TRAP PRIMER CONNECTION & BOTTOM OUTLET.



### OPTIONS

Cat. No.	Pipe Size	Wt. Lbs.	Suffix	Description
<input type="checkbox"/> 1642-1	2	17.0	<input type="checkbox"/> 8	SECONDARY STRAINER
<input type="checkbox"/> 1643-1	3	17.0	<input type="checkbox"/> 27	ALUMINUM SEDIMENT BUCKET
<input type="checkbox"/> 1644-1	4	17.0	<input type="checkbox"/> 31	BACKWATER VALVE
			<input type="checkbox"/> 39	GALVANIZED IRON PARTS
			<input type="checkbox"/> 64	A.R.E. COATED CAST IRON PARTS

OUTLETS  
 (NH) NO-HUB     (TY) TY-SEAL (PUSH-ON)

AutoCad.dwg