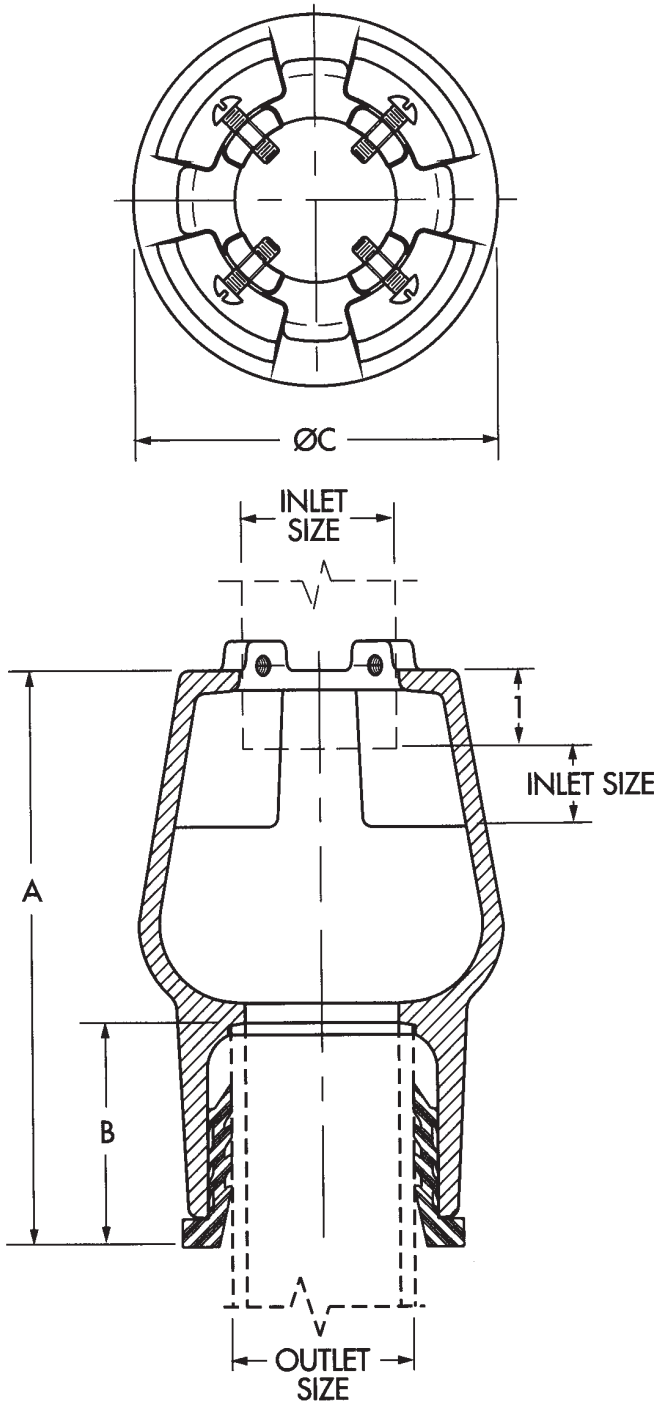


# Fixed Air Gaps

**WADE**

2490 Cast iron fixed air gap with slip joint inlet and Ty-Seal outlet.



### OPTIONS

Suffix	Description
39.....	Galvanized

Cat. No.	Outlet Size	Inlet Size	A	B	C	Wt. Lbs.
2492	2	1 1/2	7	2 1/2	4 3/4	7.0
2493	3	2	7 3/4	2 3/4	5 3/4	9.0
2494	4	3	8 1/2	3	6 3/4	11.0