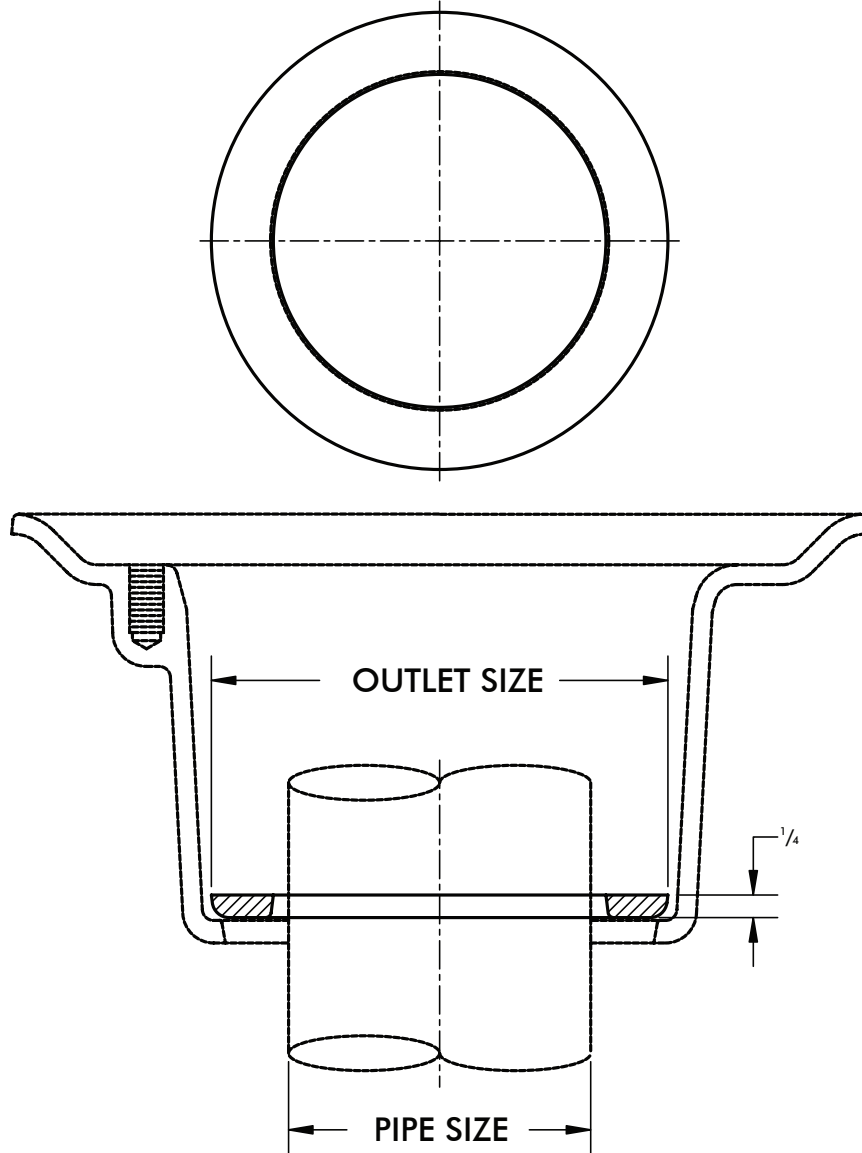


Inside Caulk Reducer

WADE

2429 Painted cast iron inside caulk reducing ring.



Cat. No.	Outlet Size	Pipe Size	Wt. Lbs.
<input type="checkbox"/> 2429-3x2	3	2	.3
<input type="checkbox"/> 2429-4x2	4	2	.5
<input type="checkbox"/> 2429-4x3	4	3	.4
<input type="checkbox"/> 2429-5x3	5	3	.7
<input type="checkbox"/> 2429-5x4	5	4	.6
<input type="checkbox"/> 2429-6x4	6	4	1.0
<input type="checkbox"/> 2429-6x5	6	5	.9

OPTIONS

Suffix	Description
<input type="checkbox"/> 39	Galvanized