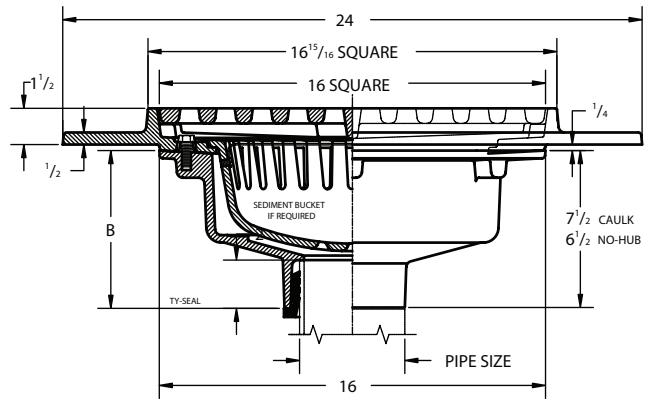
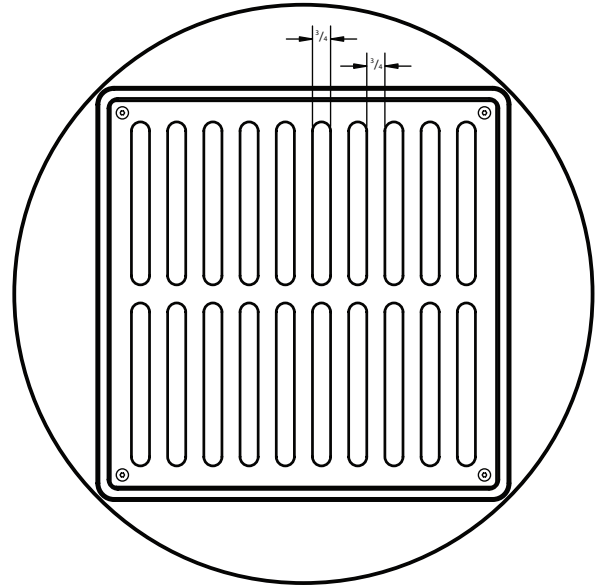


Parking Deck Floor Drain

WADE

2390-PG Painted cast iron parking deck floor drain with heavy support flange, seepage flange with integral clamp device, secured ductile iron slotted grate, 1/2" trap primer connection and bottom outlet.
ANSI load class XH - Extra Heavy Duty (7,500-10,000 Lbs.) Grate Free Area = 89.1 Sq.In.



Cat. No.	Pipe Size	B Ty-Seal	Flow Rate (GPM)	Wt. Lbs.
<input type="checkbox"/> 2392-PG	2	6 7/8	41	96.0
<input type="checkbox"/> 2393-PG	3	6 3/4	75	96.0
<input type="checkbox"/> 2394-PG	4	6 3/8	110	96.0
<input type="checkbox"/> 2396-PG	6	6 1/4	156	97.0
<input type="checkbox"/> 2398-PG	8	N/A	201	97.0

OPTIONS

Suffix	Description
<input type="checkbox"/> 1.....	Nickel Bronze Veneer Top
<input type="checkbox"/> 8.....	Flat Secondary Strainer
<input type="checkbox"/> 27.....	Sediment Bucket (Aluminum)
<input type="checkbox"/> 37.....	Auxiliary Tapping (1 1/4, 1 1/2 or 2")
<input type="checkbox"/> 39.....	Galvanized Iron Parts
<input type="checkbox"/> 179.....	Security Screws

OUTLETS

- NH..... No-Hub
- TY..... Ty-seal
- IC..... Inside Caulk