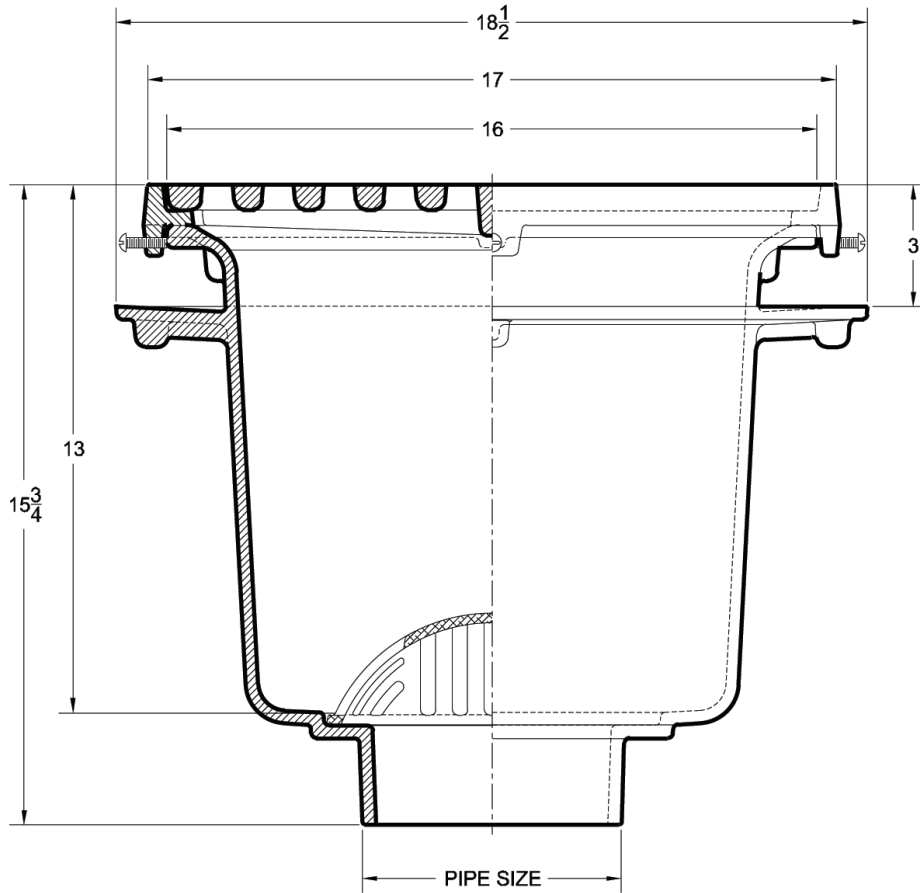


Square Floor Drain



2390 (16x16x12)

Cast iron 16" square floor drain with 12" sump, aluminum dome strainer, and ductile iron grate or nickel bronze grate.



STANDARD DUCTILE IRON TOP

Cat. No.	Pipe Size	ANSI* Top	Load Class	B No-Hub	Flow Rate (GPM)	Free Area Sq. In.	Wt. Lbs.
<input type="checkbox"/> 2394	4	DI	XH	16 1/4	110	89.1	103
<input type="checkbox"/> 2396	6	DI	XH	16 1/4	156	89.1	103
<input type="checkbox"/> 2398	8	DI	XH	16 1/4	201	89.1	103

*XH = Extra Heavy Duty (7,500 to 10,000 lbs)

OUTLET:

(NH) No-Hub

OPTIONS

Suffix	Description
<input type="checkbox"/>	1..... Nickel Bronze Top
<input type="checkbox"/>	5..... Vandal Proof (Standard on NB)
<input type="checkbox"/>	26..... Clamp Device
<input type="checkbox"/>	27..... Sediment Bucket, Aluminum
<input type="checkbox"/>	31..... Backwater Valve 4" Only
<input type="checkbox"/>	39..... Galvanized Iron Parts
<input type="checkbox"/>	179..... Security Screws