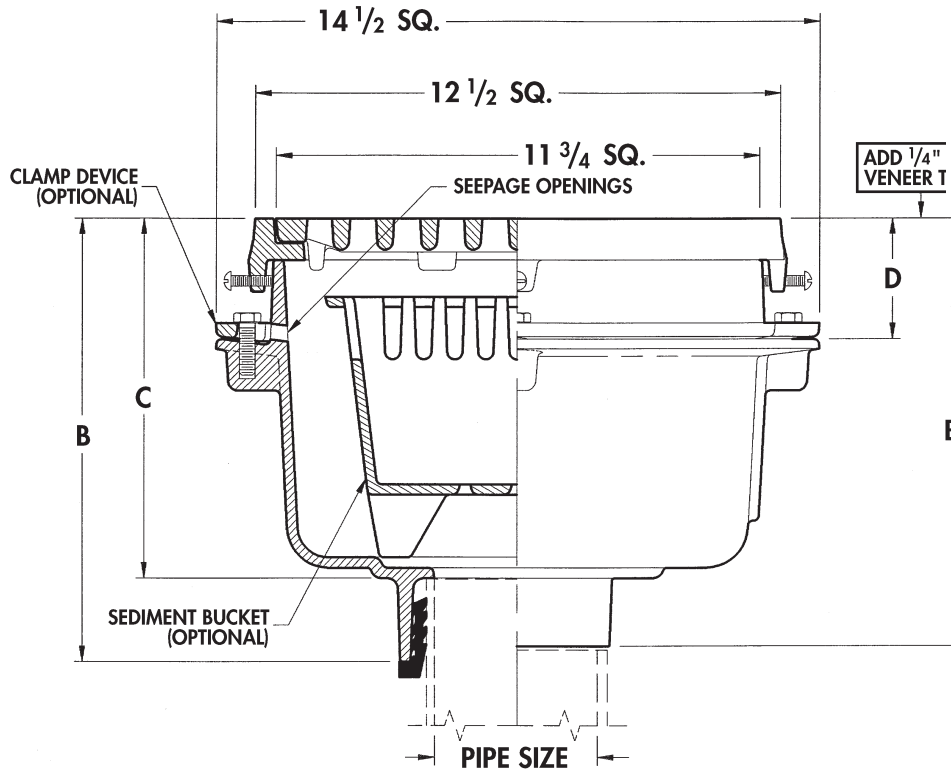


Square Floor Drains

WADE

2370 Cast iron deep sump floor drain with plugged $\frac{1}{2}$ " primer tap, square top and square loose set ductile iron grate with anti-tilt lugs.



STANDARD DUCTILE IRON TOP

Cat. No.	Pipe Size	ANSI* Top	Load Class	B Ty-Seal	C Ty-Seal	B No-Hub	B Caulk	Flow Rate (GPM)	Free Area Sq. In.	Wt. Lbs.	D
2372	2	DI	SD	10 ⁵ / ₈	8 ⁵ / ₈	45	76.4	50	2 ⁷ / ₈
2373	3	DI	SD	10 ⁵ / ₈	8 ⁵ / ₈	10 ¹ / ₄	10 ⁵ / ₈	75	76.4	50	2 ⁷ / ₈
2374	4	DI	SD	10 ⁵ / ₈	8 ⁵ / ₈	10 ¹ / ₄	10 ⁵ / ₈	120	76.4	50	2 ⁷ / ₈
2376	6	DI	SD	10 ⁵ / ₈	8 ⁵ / ₈	10 ¹ / ₄	...	158	76.4	50	2 ⁷ / ₈

*SD = Special Duty (Over 10,000 lbs)

OUTLET:

- (TY) Ty-Seal (2", 3", 4")
- (NH) No-Hub (3", 4", 6")
- (IC) Inside Caulk (3", 4")

OPTIONS

- | Suffix | Description |
|--------------------------|--|
| <input type="checkbox"/> | 1..... Nickel Bronze Veneer Top |
| <input type="checkbox"/> | 5..... Vandal Proof (Standard on NB) |
| <input type="checkbox"/> | 8..... Secondary Strainer |
| <input type="checkbox"/> | 9..... Secondary Dome Strainer (N/A with Bucket) |
| <input type="checkbox"/> | 14..... Hinged Grate |
| <input type="checkbox"/> | 26..... Clamp Device |
| <input type="checkbox"/> | 27..... Sediment Bucket, Aluminum |
| <input type="checkbox"/> | 31..... Backwater Valve |
| <input type="checkbox"/> | 39..... Galvanized Iron Parts |
| <input type="checkbox"/> | 179..... Security Screws |