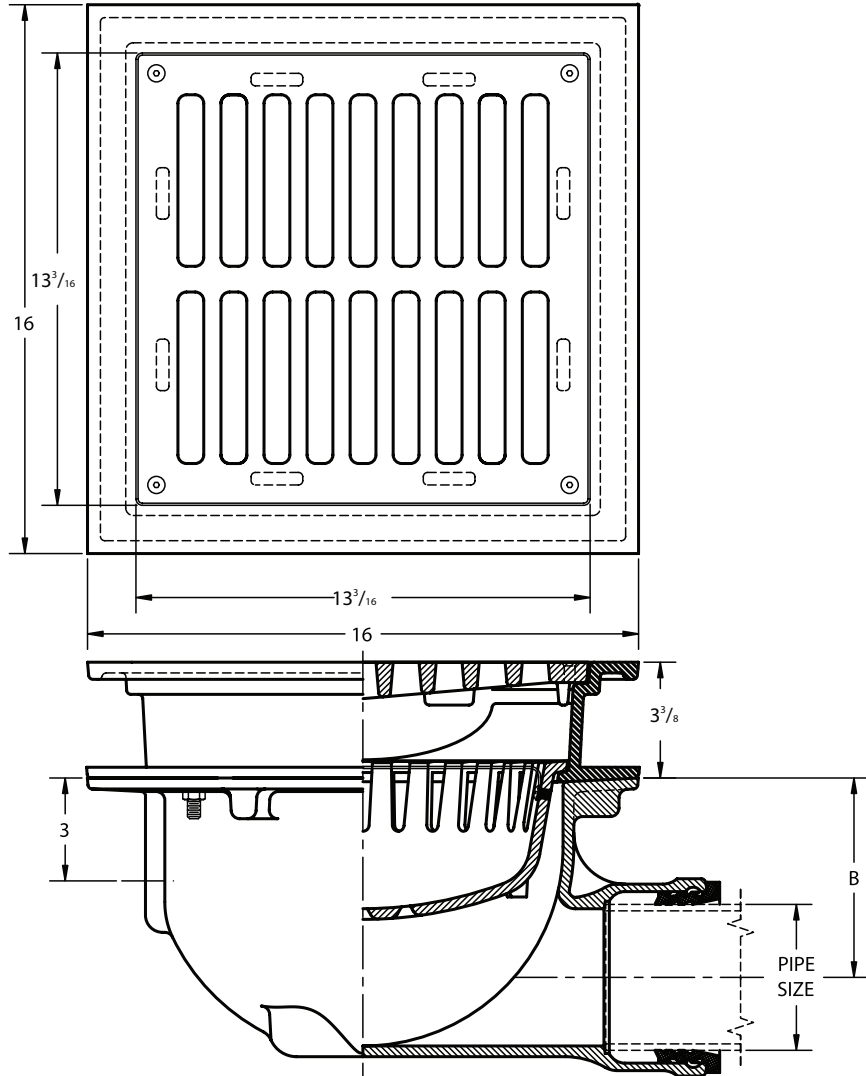


# Side Outlet Floor Drain

**WADE**

2360-SO

Painted cast iron square top floor drain with flange, integral clamping collar, secured ductile iron tractor style slotted grate, seepage openings and Ty-Seal side outlet.  
ANSI load class SD - Special Duty (Over 10,000 Lbs.)  
Grate Free Area = 76.4 Sq.In.



### OPTIONS

Suffix	Description
1.....	Nickel Bronze Veneer Top
5.....	Vandal Proof (Secured Grate)
37.....	Auxiliary Tapping (1 1/4, 1 1/2 or 2")
39.....	Galvanized Iron Parts
179.....	Security Screws

Cat. No.	Pipe Size	B Ty-Seal	Flow Rate (GPM)	Wt. Lbs.
2363-SO	3	6 7/8	71	87.0
2364-SO	4	5 7/8	104	88.0
2366-SO	6	5 1/4	150	89.0