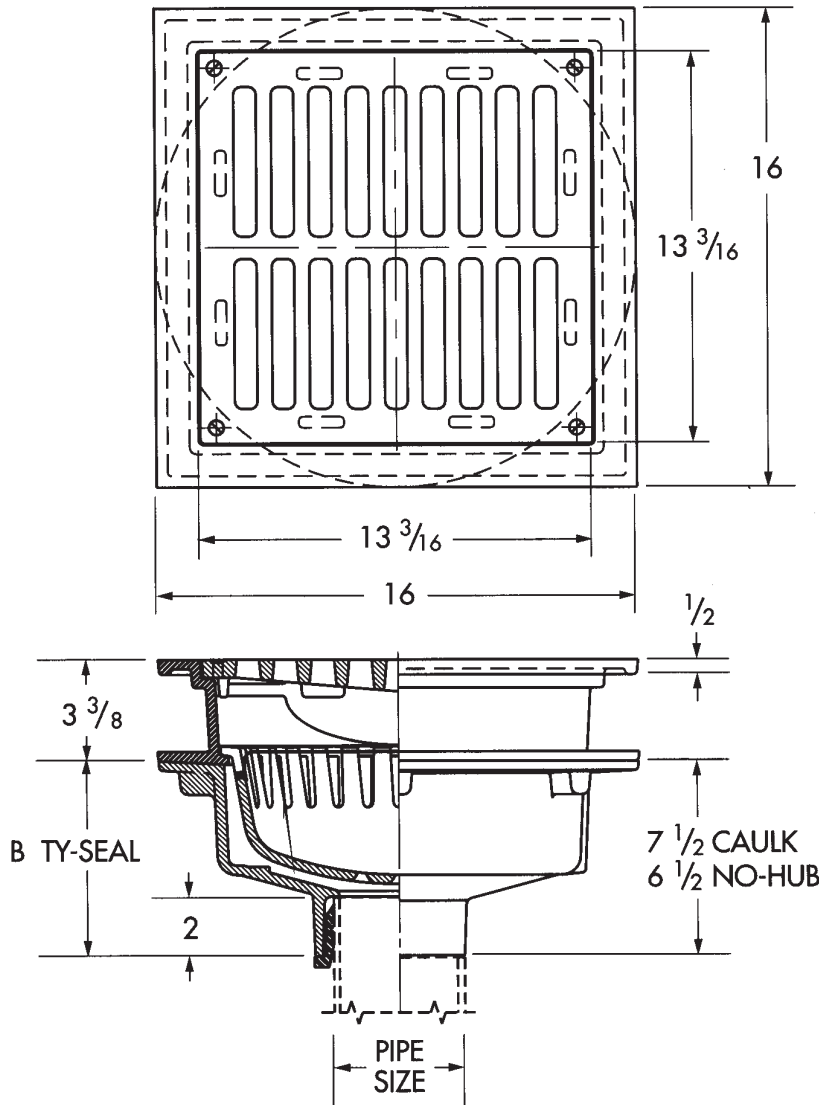
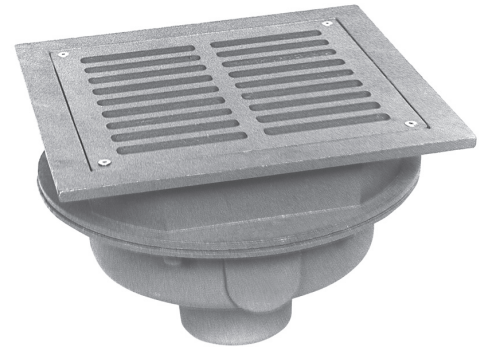


# Large Floor Drains - Square

**WADE**

**2360 (16x16)** Cast iron 16" square floor drain with integral clamping collar, flashing flange, suspended sediment bucket and ductile iron tractor grate with 1/2" Trap Primer Tap.  
 ANSI Load Class - Special Duty (Over 10,000 lbs.)  
 Grate Free Area - 76.4 Sq. In. (Ductile Iron)



Cat. No.	Pipe Size	B	Wt. Lbs.	OUTLET		OPTIONS	
				Suffix	Description		
<input type="checkbox"/> 2362	2	6 7/8	84.0	<input type="checkbox"/> TY ...	Ty-Seal (2", 3", 4", 6")	<input type="checkbox"/> 1.....	Nickel Bronze Veneer Top
<input type="checkbox"/> 2363	3	6 3/4	84.0	<input type="checkbox"/> NH .	No-Hub (3", 4", 6", 8")	<input type="checkbox"/> 5.....	Vandal Proof
<input type="checkbox"/> 2364	4	6 1/2	84.0	<input type="checkbox"/> IC ...	Inside Caulk (3", 4", 6")	<input type="checkbox"/> 179....	Security Screws
<input type="checkbox"/> 2366	6	6 1/4	84.0			<input type="checkbox"/> 39.....	Golvanized
<input type="checkbox"/> 2368	8	N/A	84.0				