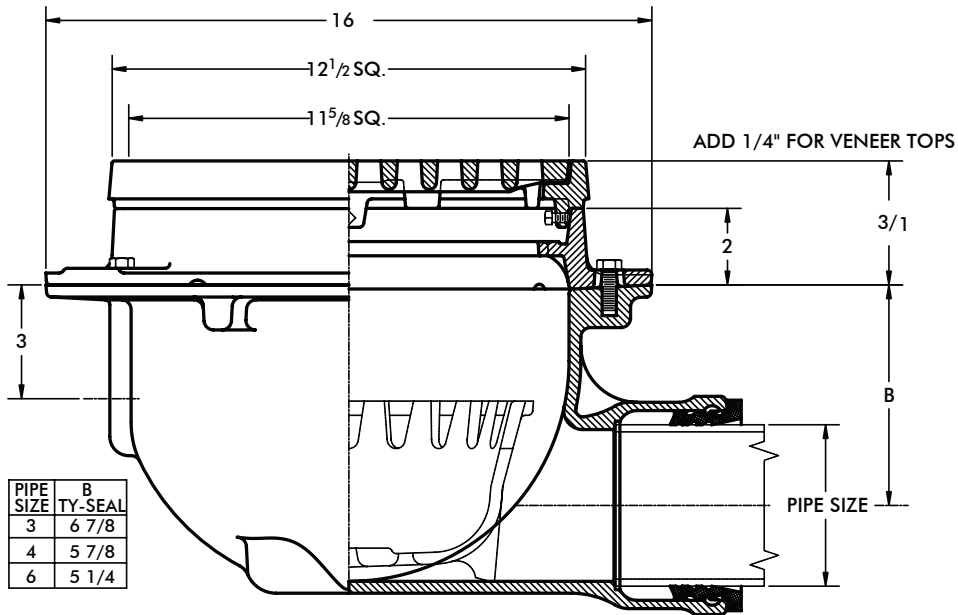


# Side Outlet Floor Drain



**2330** Cast iron side outlet floor drain with integral clamping collar, ductile iron grate square top with 1/2" Trap Primer Tap  
 ANSI load class SD - Special Duty (Over 10,000 Lbs.)  
 Grate Free Area - 52.4 Sq.In.



### OPTIONS

Suffix	Description
<input type="checkbox"/> 1	Nickel Bronze Veneer Top
<input type="checkbox"/> 5	Vandal Proof (Secured Grate)
<input type="checkbox"/> 14	Hinged Grate
<input type="checkbox"/> 31	Backwater Valve
<input type="checkbox"/> 39	Galvanized Parts

Cat. No.	Pipe Size	Wt. Lbs.
<input type="checkbox"/> 2332	2	140.0
<input type="checkbox"/> 2333	3	146.0
<input type="checkbox"/> 2334	4	148.0

### OUTLET:

(TY) Ty-Seal (2", 3", 4")