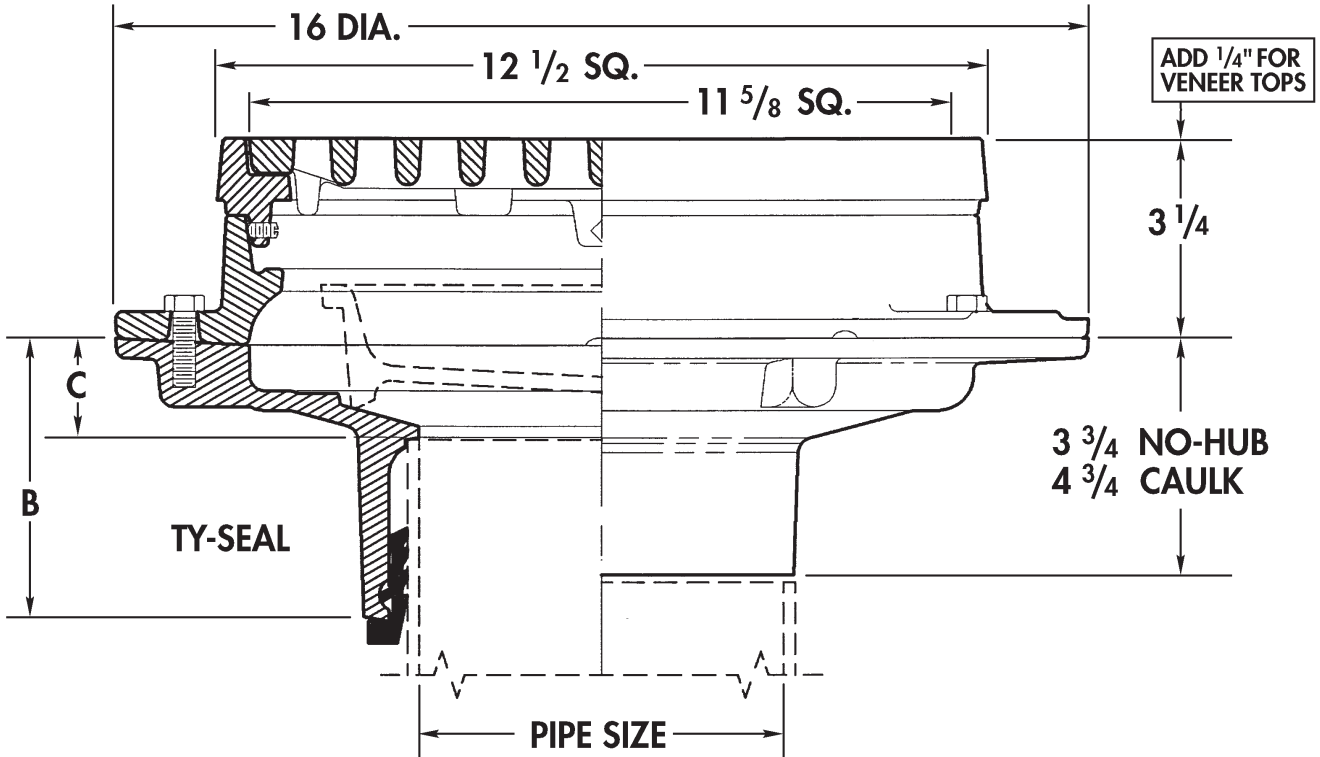


Square Floor Drains



2300 Cast iron shallow depth floor drain with flange, plugged $\frac{1}{2}$ " primer tap, integral clamping collar and square loose set ductile iron grate with anti-tilt lugs.



Cat. No.	Pipe Size	ANSI* Load Class	B Ty-Seal	C	Flow Rate GPM	Free Area Sq. In.	Wt. Lbs.
<input type="checkbox"/> 2302	2	SD	4 ³ / ₄	2 ¹ / ₄	37	76.4	61
<input type="checkbox"/> 2303	3	SD	4 ³ / ₄	2	70	76.4	61
<input type="checkbox"/> 2304	4	SD	5	2	102	76.4	61
<input type="checkbox"/> 2306	6	SD	4 ³ / ₄	1 ³ / ₄	140	76.4	61
<input type="checkbox"/> 2308	8	SD	N/A	N/A	175	76.4	61
<input type="checkbox"/> 2309	10	SD	N/A	N/A	180	76.4	61

*SD = Special Duty (Over 10,000 lbs)

OPTIONS

Suffix	Description
<input type="checkbox"/> 1.....	Nickel Bronze Veneer Top
<input type="checkbox"/> 5.....	Vandal Proof (Standard on NB)
<input type="checkbox"/> 8.....	Secondary Strainer (N/A 10")
<input type="checkbox"/> 14.....	Hinged Top
<input type="checkbox"/> 19.....	Locking Grate
<input type="checkbox"/> 23.....	Grate Riser Each 2" High
<input type="checkbox"/> 27.....	Sediment Bucket, Aluminum
<input type="checkbox"/> 31.....	Backwater Valve
<input type="checkbox"/> 39.....	Galvanized Iron Parts
<input type="checkbox"/> 179.....	Security Screws

OUTLET:

- (TY) Ty-Seal (2", 3", 4", 6")
- (NH) No-Hub (3", 4", 6", 8", 10")
- (IC) Inside Caulk (3", 4", 6", 8")