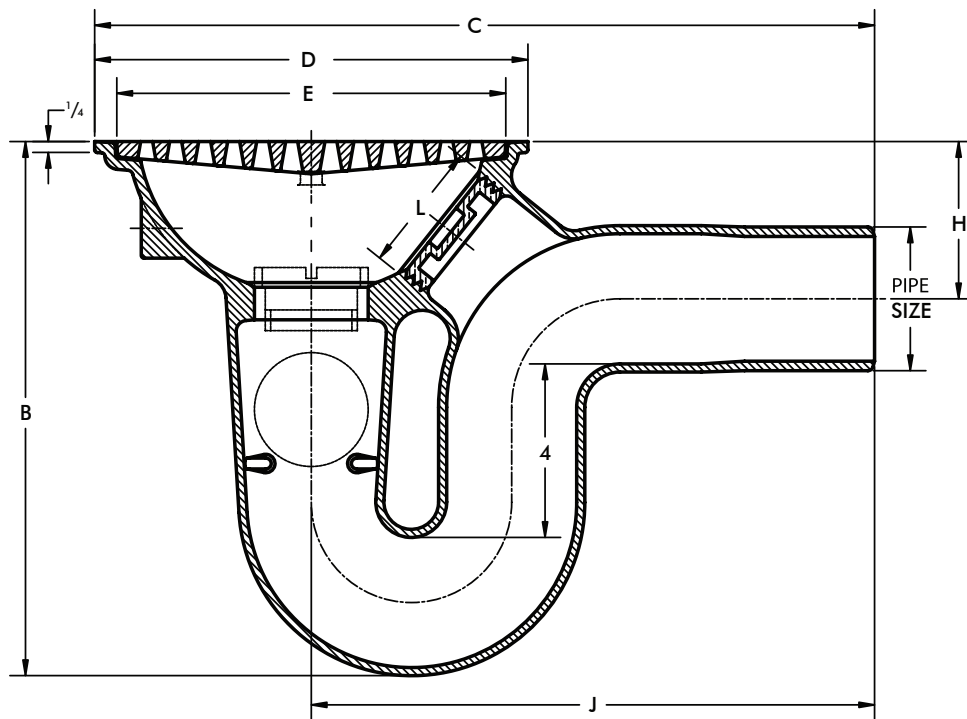


# Floor Drain w/ Integral Trap

**WADE**

**2210** Painted cast iron floor drain with integral double wall p-trap, secured cast iron perforated grate, brass internal cleanout plug and spigot side outlet. ANSI load class LD - Light Duty (Under 2,000 Lbs.)



PIPE SIZE	B	C	D	E	H	J	L
2"	9 3/4	13	7 1/2	6 3/4	3 1/4	9 3/8	1 1/2
3"	11 5/8	18	10	8 7/8	3 1/4	13	1 1/2
4"	14 1/4	21	12	11	4 1/4	15	2

Cat. No.	Pipe Size	Wt. Lbs.
<input type="checkbox"/> 2212	2	25.0
<input type="checkbox"/> 2213	3	35.0
<input type="checkbox"/> 2214	4	55.0

### OPTIONS

Suffix	Description
<input type="checkbox"/> 31.....	Backwater Valve (float type)
<input type="checkbox"/> 39.....	Galvanized Iron Parts