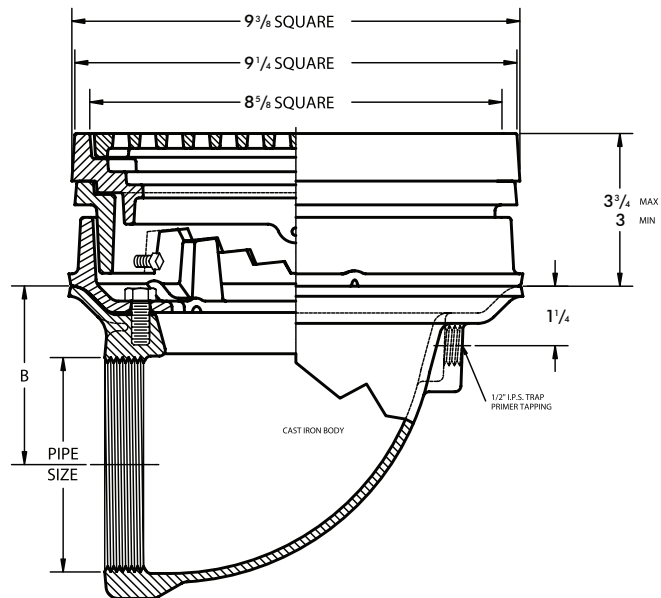
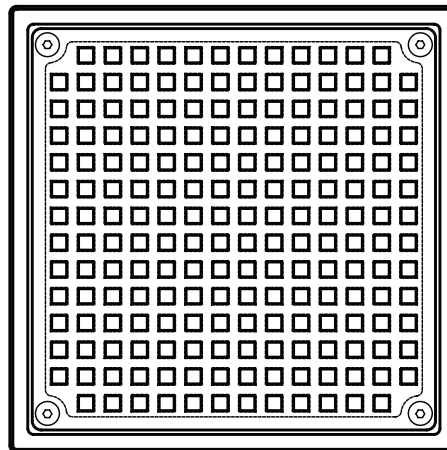


# Adjustable Square Top Floor Drain



**2150** Painted cast iron floor drain with flange, clamping collar, seepage openings, square top with ductile iron heel proof grate, adjustable collar and threaded side outlet.  
 ANSI load class XH - Extra Heavy Duty (7,500-10,000 Lbs.)  
 Grate Free Area = 18.9 Sq.In.



### OPTIONS

Suffix	Description
1	Nickel Bronze Veneer Top
5	Vandal Proof (Secured Grate)
8	Flat Secondary Strainer
14	Hinged Grate
23	Grate Riser (2" High)
27	Sediment Bucket (Aluminum)
39	Galvanized Iron Parts
179	Security Screws

Cat. No.	Pipe Size	Flow Rate (GPM)	Wt. Lbs.
2152	2	30	45.0
2153	3	50	45.0
2154	4	80	46.0