

PARKING DECK DRAIN



Approval Date

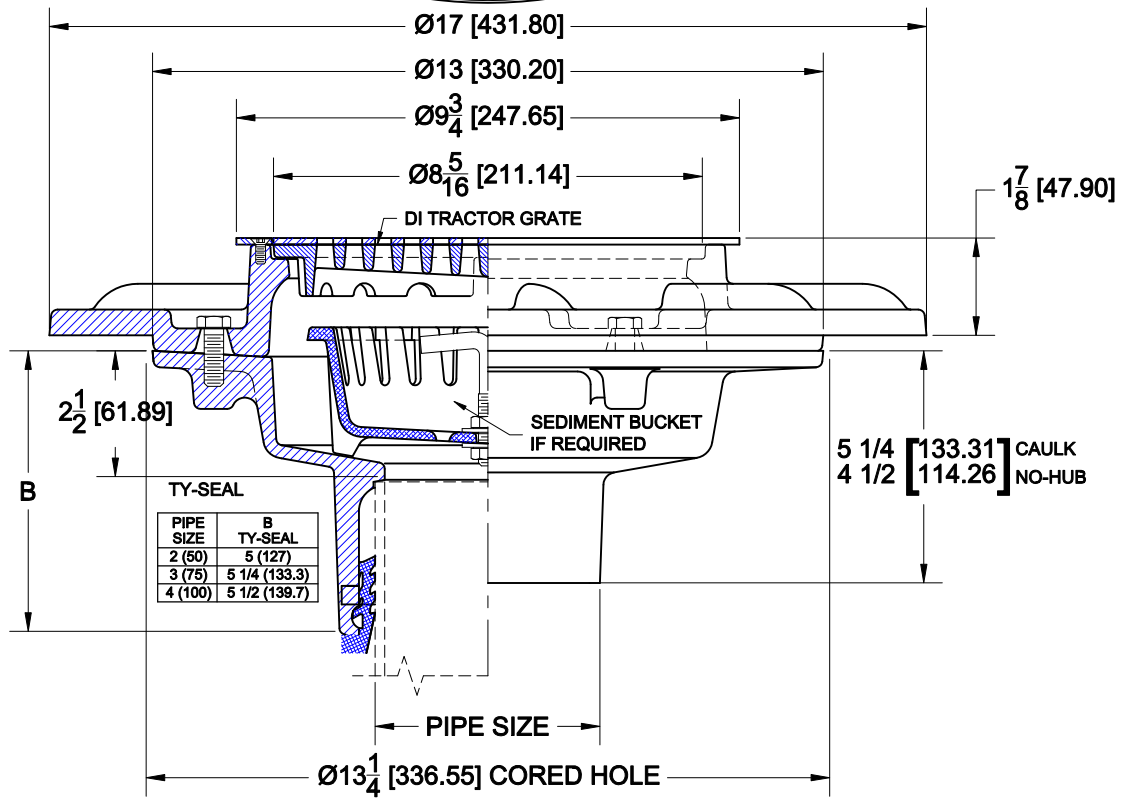
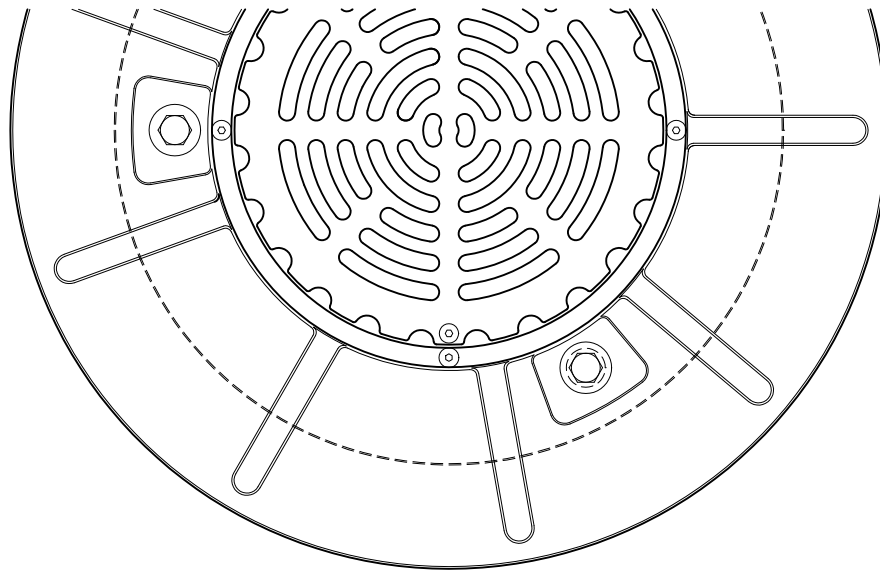
Customer Approval

Job Location

Job Name

1310-PG-11-304

CAST IRON PARKING DECK DRAIN WITH WIDE HEAVY DUTY FLANGE, DUCTILE IRON HEEL PROOF TRACTOR GRATE WITH STAINLESS STEEL VENEER, VANDAL PROOF SCREWS AND BOTTOM OUTLET.



OPTIONS

Cat. No.	Pipe Size	Wt. Lbs.	Suffix	Description
<input type="checkbox"/> 1312-PG-11-304	2 (50)	45.0	<input type="checkbox"/> 27	SEDIMENT BUCKET (ALUMINUM)
<input type="checkbox"/> 1313-PG-11-304	3 (75)	46.0	<input type="checkbox"/> 31	BACKWATER VALVE
<input type="checkbox"/> 1314-PG-11-304	4 (100)	47.0	<input type="checkbox"/> 39	GALVANIZED IRON PARTS

OUTLETS

- NH NO-HUB
 TY TY-SEAL
 IC INSIDE CAULK

AutoCad.dwg