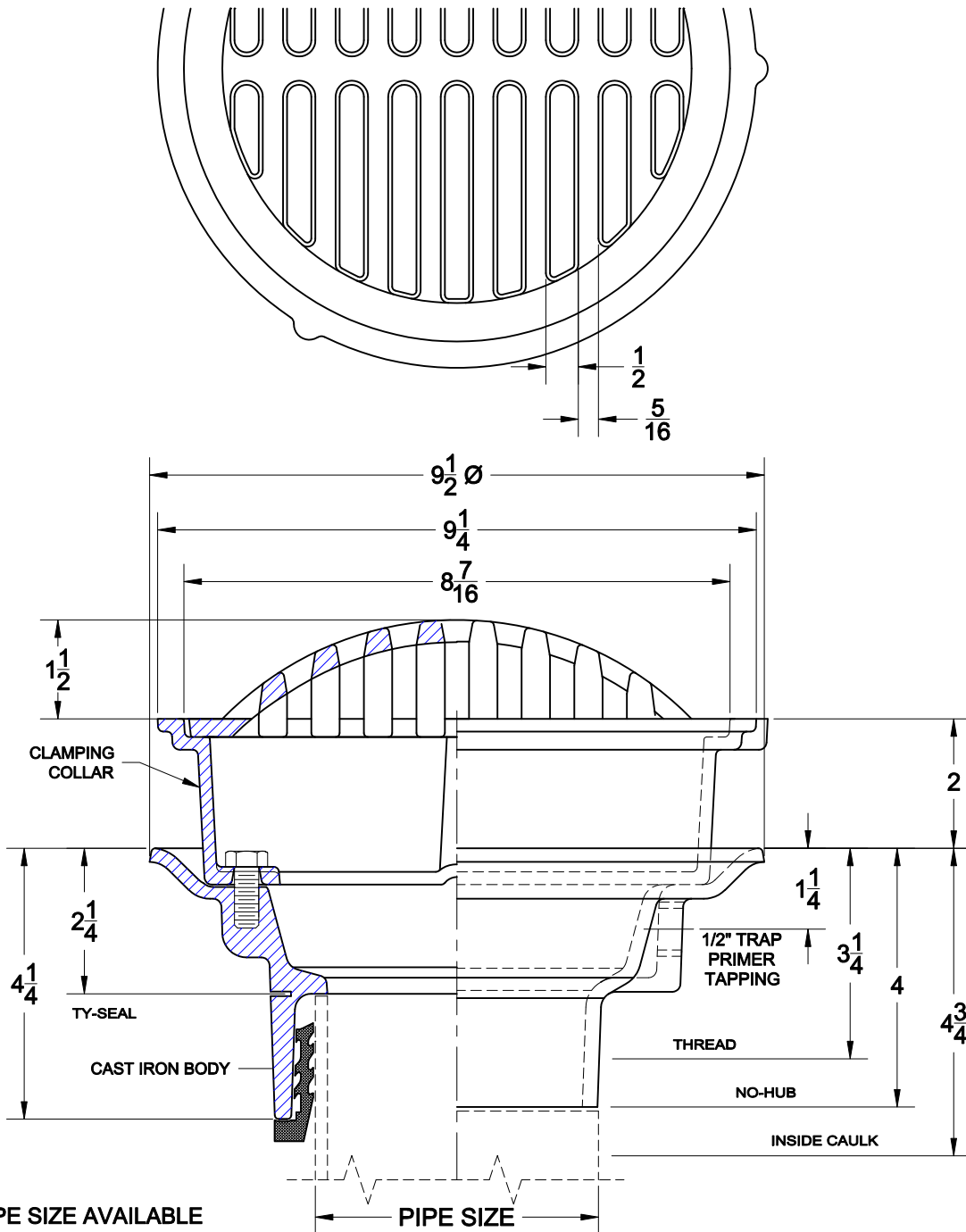


Floor Drains



1310-7

Cast iron floor drain with flange, 1/2" trap primer tap (plugged, aluminum dome grate and bottom outlet.



NOTE: 6" PIPE SIZE AVAILABLE
NO-HUB ONLY

OPTIONS

Cat. No.	Pipe Size	Wt. Lbs.	Suffix	Description
<input type="checkbox"/> 1312-7	2	40.0	<input type="checkbox"/> 5	Vandal Proof (Secured Grate)
<input type="checkbox"/> 1313-7	3	40.0	<input type="checkbox"/> 23	Grate Riser (1 1/2" High)
<input type="checkbox"/> 1314-7	4	40.0	<input type="checkbox"/> 27	Aluminum Sediment Bucket
<input type="checkbox"/> 1316-7	6	40.0	<input type="checkbox"/> 31	Backwater Valve
			<input type="checkbox"/> 39	Galvanized Iron Parts

OUTLETS

NH NO-HUB TY TY-SEAL IC INSIDE CAULK

AutoCad.dwg