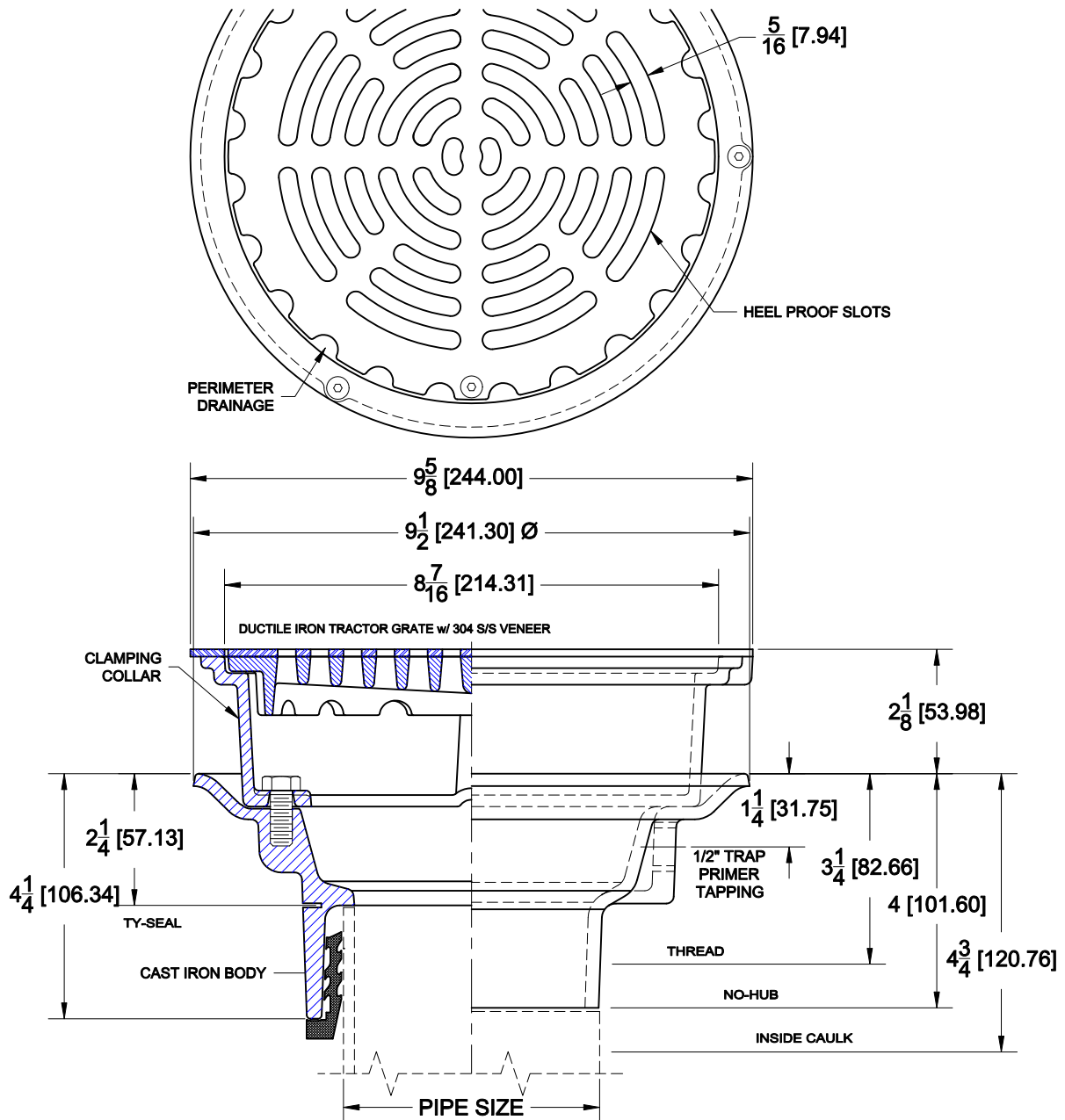


# FLOOR DRAIN



1310-304

CAST IRON FLOOR DRAIN WITH INTEGRAL CLAMPING COLLAR, SEEPAGE OPENINGS, 1/2" TRAP PRIMER TAPPING, DUCTILE IRON TRACTOR GRATE WITH 304 S/S VENEER & BOTTOM OUTLET



ANSI LOAD CLASS - XH EXTRA HEAVY DUTY (7,500-10,000 LBS)  
GRATE FREE AREA - 18.2 SQ.IN.

			OPTIONS	
Cat. No.	Pipe Size	Wt. Lbs.	Suffix	Description
<input type="checkbox"/> 1312-314	2 (50)	17.0	<input type="checkbox"/> 8	SECONDARY STRAINER
<input type="checkbox"/> 1313-304	3 (75)	18.0	<input type="checkbox"/> 18	SOLID COVER
<input type="checkbox"/> 1314-304	4 (100)	19.0	<input type="checkbox"/> 27	ALUMINUM SEDIMENT BUCKET
<input type="checkbox"/> 1316-304	6 (150)	20.0	<input type="checkbox"/> 31	BACKWATER VALVE (2,3,4" only)

6" OUTLET AVAILABLE NO-HUB ONLY

## OUTLETS

NH NO-HUB     TY TY-SEAL     IC IC     IPS THREADED

AutoCad.dwg