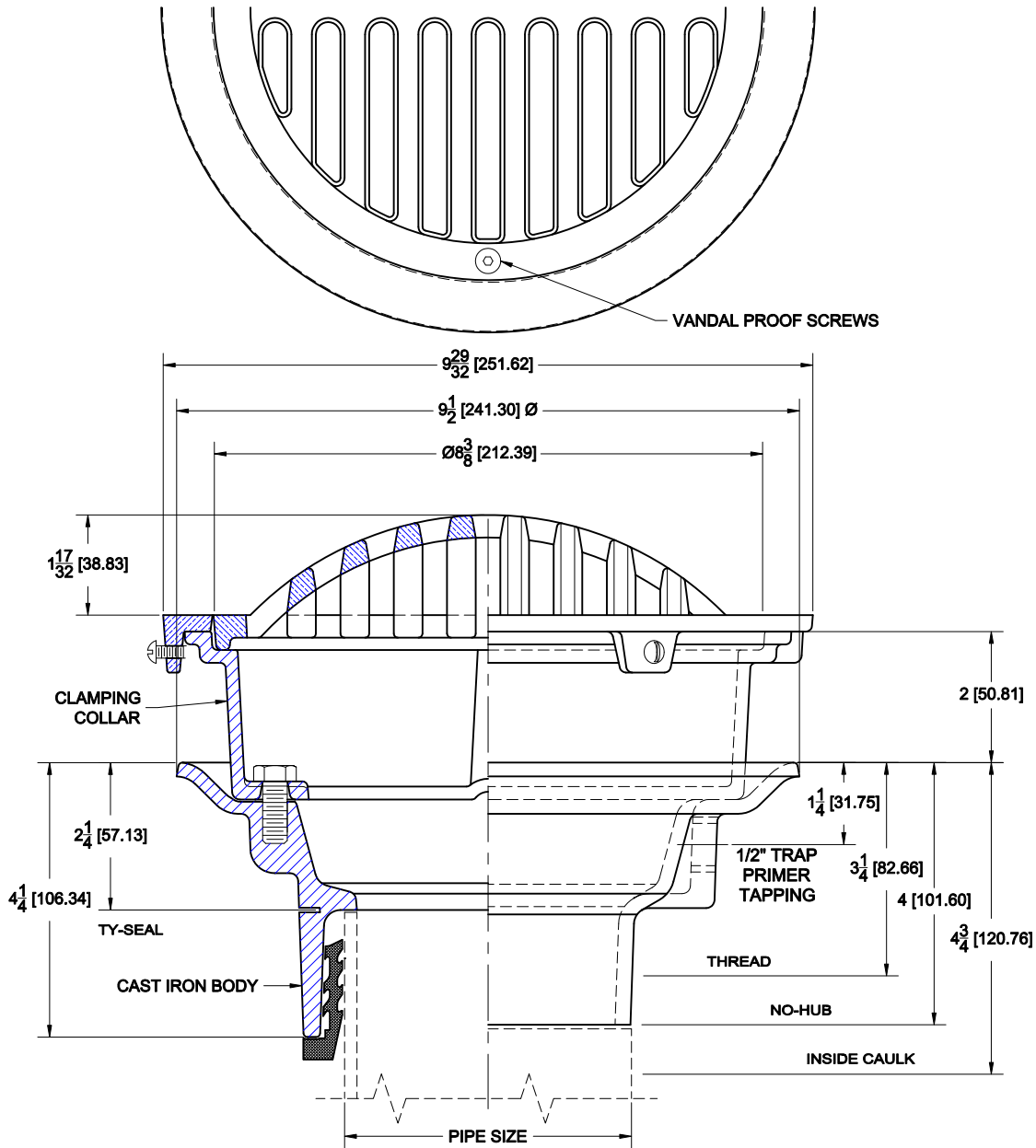


# FLOOR DRAIN



1310-1-7

CAST IRON FLOOR DRAIN WITH INTEGRAL CLAMPING COLLAR, SEEPAGE OPENINGS, 1/2" TRAP PRIMER TAPPING, NICKEL BRONZE TOP WITH DOME GRATE & BOTTOM OUTLET



ANSI LOAD CLASS - XH EXTRA HEAVY DUTY (7,500-10,000 LBS)

GRATE FREE AREA - 18.2 SQ.IN.

### OPTIONS

Cat. No.	Pipe Size	Wt. Lbs.	Suffix	Description
<input type="checkbox"/> 1312-1-7	2 (50)	17.0	<input type="checkbox"/> 1	SATIN NICKEL BRONZE TOP
<input type="checkbox"/> 1313-1-7	3 (75)	18.0	<input type="checkbox"/> 5	VANDAL PROOF (SECURED GRATE)
<input type="checkbox"/> 1314-1-7	4 (100)	19.0	<input type="checkbox"/> 7	DOME GRATE
<input type="checkbox"/> 1316-1-7	6 (150)	20.0	<input type="checkbox"/> 8	SECONDARY STRAINER
6" OUTLET AVAILABLE NO-HUB ONLY			<input type="checkbox"/> 18	SOLID COVER (W/ PULL RING)
			<input type="checkbox"/> 27	ALUMINUM SEDIMENT BUCKET
			<input type="checkbox"/> 31	BACKWATER VALVE (2,3,4")

### OUTLETS

NH NO-HUB     TY TY-SEAL     IC IC     IPS THREADED

AutoCad.dwg