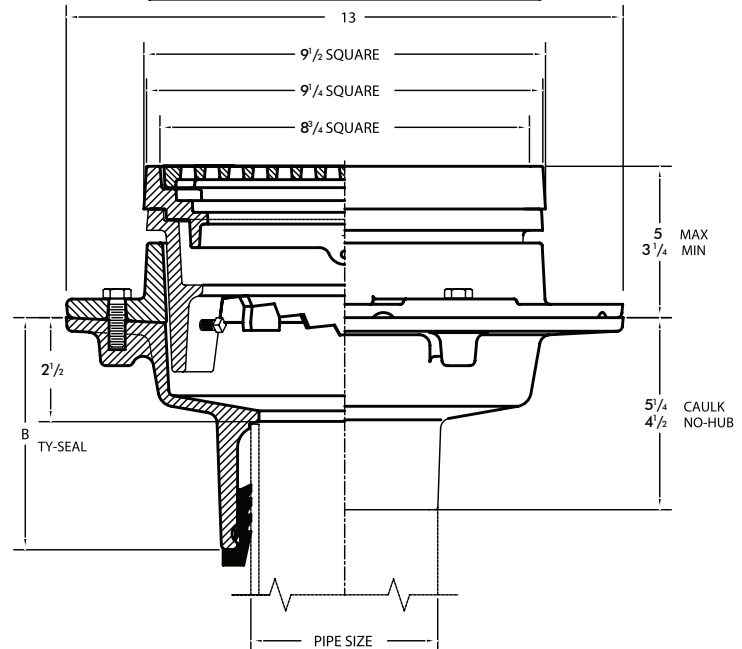
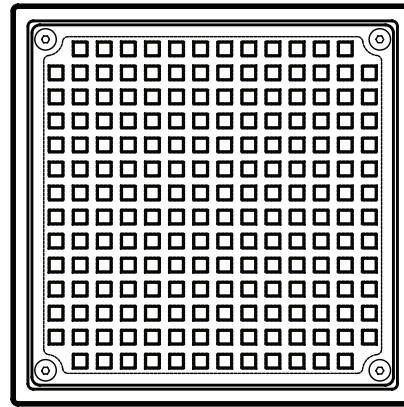
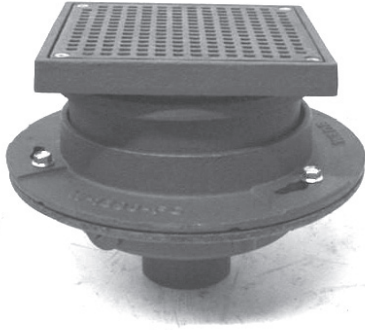


# Adjustable Square Top Floor Drain

**WADE**

**2140** Painted cast iron floor drain with flange, clamping collar, seepage openings, square top with ductile iron heel proof grate, adjustable collar, plugged 1/2" trap primer connection and bottom outlet.  
ANSI load class XH - Extra Heavy Duty (7,500-10,000 Lbs.)  
Grate Free Area = 18.9 Sq.In.



Cat. No.	Pipe Size	B Ty-Seal	Flow Rate (GPM)	Wt. Lbs.
2142	2	5	30	45.0
2143	3	5 1/4	50	45.0
2144	4	5 1/2	80	46.0

## OUTLETS

- NH..... No-Hub
- TY ..... Ty-seal
- IC ..... Inside Caulk

## OPTIONS

Suffix	Description
<input type="checkbox"/> 1.....	Nickel Bronze Veneer Top
<input type="checkbox"/> 5.....	Vandal Proof (Secured Grate)
<input type="checkbox"/> 8.....	Flat Secondary Strainer
<input type="checkbox"/> 14.....	Hinged Grate
<input type="checkbox"/> 23.....	Grate Riser (2" High)
<input type="checkbox"/> 27.....	Sediment Bucket (Aluminum)
<input type="checkbox"/> 31.....	Backwater Valve
<input type="checkbox"/> 39.....	Galvanized Iron Parts
<input type="checkbox"/> 179.....	Security Screws