

Adjustable Floor Drain

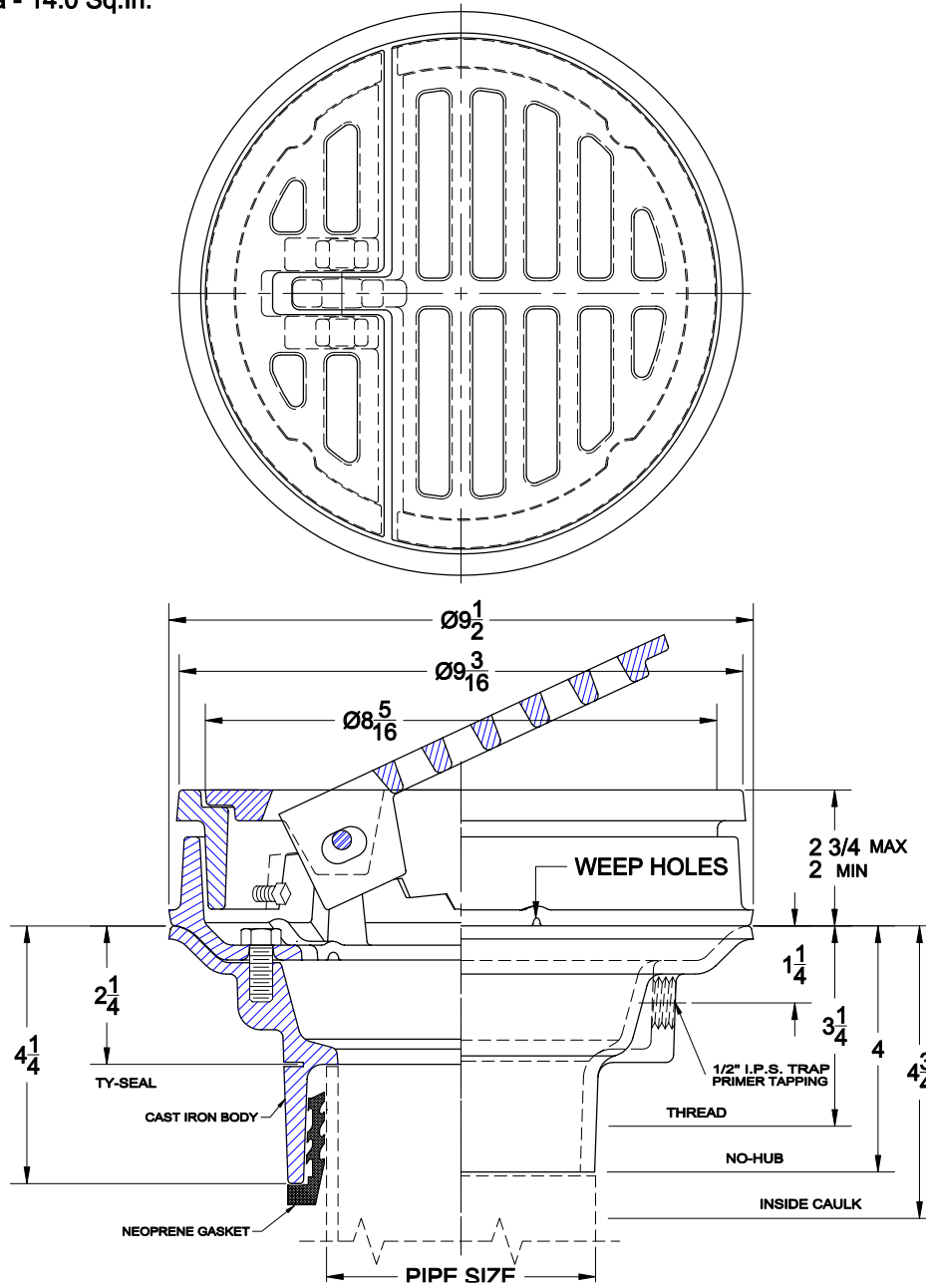


1300-14

Cast iron floor drain with flange, ductile iron hinged grate, adjustable collar, 1/2" trap primer connection and bottom outlet.

ANSI Load Class - XH Extra Heavy Duty (7,500-10000 lbs)

Grate Free Area - 14.0 Sq.In.



OPTIONS

Cat. No.	Pipe Size	Wt. Lbs.	Suffix	Description
<input type="checkbox"/> 1302-14	2 (50)	25.0	<input type="checkbox"/> 5	Vandal Proof
<input type="checkbox"/> 1303-14	3 (75)	25.0	<input type="checkbox"/> 8	Secondary Strainer
<input type="checkbox"/> 1304-14	4 (100)	25.0	<input type="checkbox"/> 9	Secondary Dome Strainer
			<input type="checkbox"/> 23	Grate Riser (Ea 1 1/2" High)
			<input type="checkbox"/> 31	Backwater Valve
			<input type="checkbox"/> 39	Galvanized Iron Parts

OUTLETS

- (NH) No-Hub
 (TY) Ty-Seal
 (IC) Inside Caulk
 (IPS) Threaded

AutoCad.dwg