

Adjustable Floor Drain

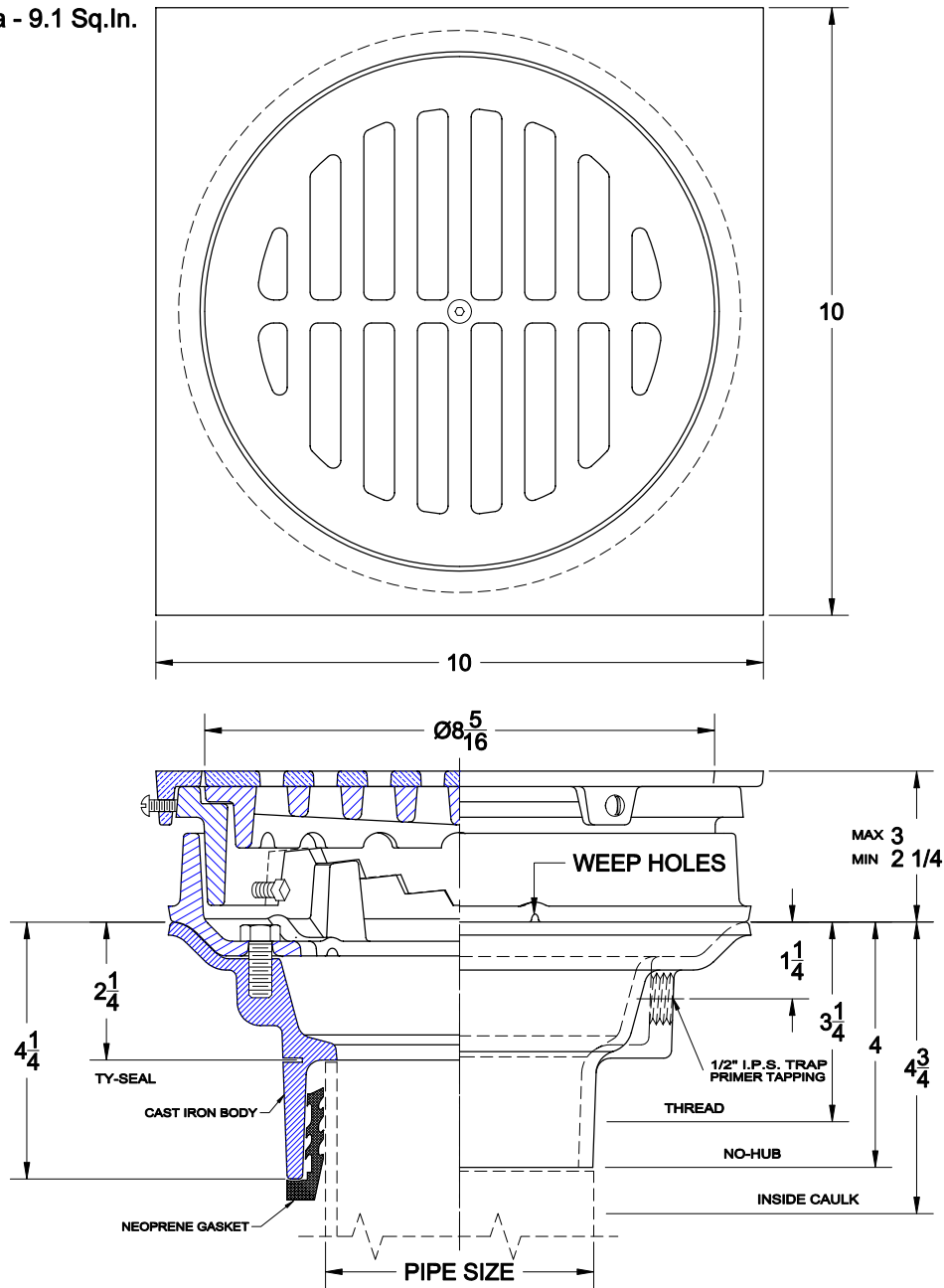


1300-1-4

Cast iron floor drain with flange, ductile iron grate, square nickel bronze veneer top, 1/2" trap primer connection and bottom outlet.

ANSI Load Class - XH Extra Heavy Duty (7,500-10000 lbs)

Grate Free Area - 9.1 Sq.In.



OPTIONS

Cat. No.	Pipe Size	Wt. Lbs.	Suffix	Description
<input type="checkbox"/> 1302-1-4	2 (50)	25.0	<input type="checkbox"/> 5	Vandal Proof
<input type="checkbox"/> 1303-1-4	3 (75)	25.0	<input type="checkbox"/> 8	Secondary Strainer
<input type="checkbox"/> 1304-1-4	4 (100)	25.0	<input type="checkbox"/> 18	Solid Cover
			<input type="checkbox"/> 23	Grate Riser (Ea 1 1/2" High)
			<input type="checkbox"/> 31	Backwater Valve
			<input type="checkbox"/> 39	Galvanized Iron Parts

OUTLETS

<input type="checkbox"/> (NH) No-Hub	<input type="checkbox"/> (TY) Ty-Seal	<input type="checkbox"/> (IC) Inside Caulk	<input type="checkbox"/> (IPS) Threaded
--------------------------------------	---------------------------------------	--	---

AutoCad.dwg

5-3-01

Tyler Pipe / Wade Division * P.O. Box 2027 * Tyler, TX 75710-2027 * (903)882-5511 * FAX (888)879-9233

A-13236