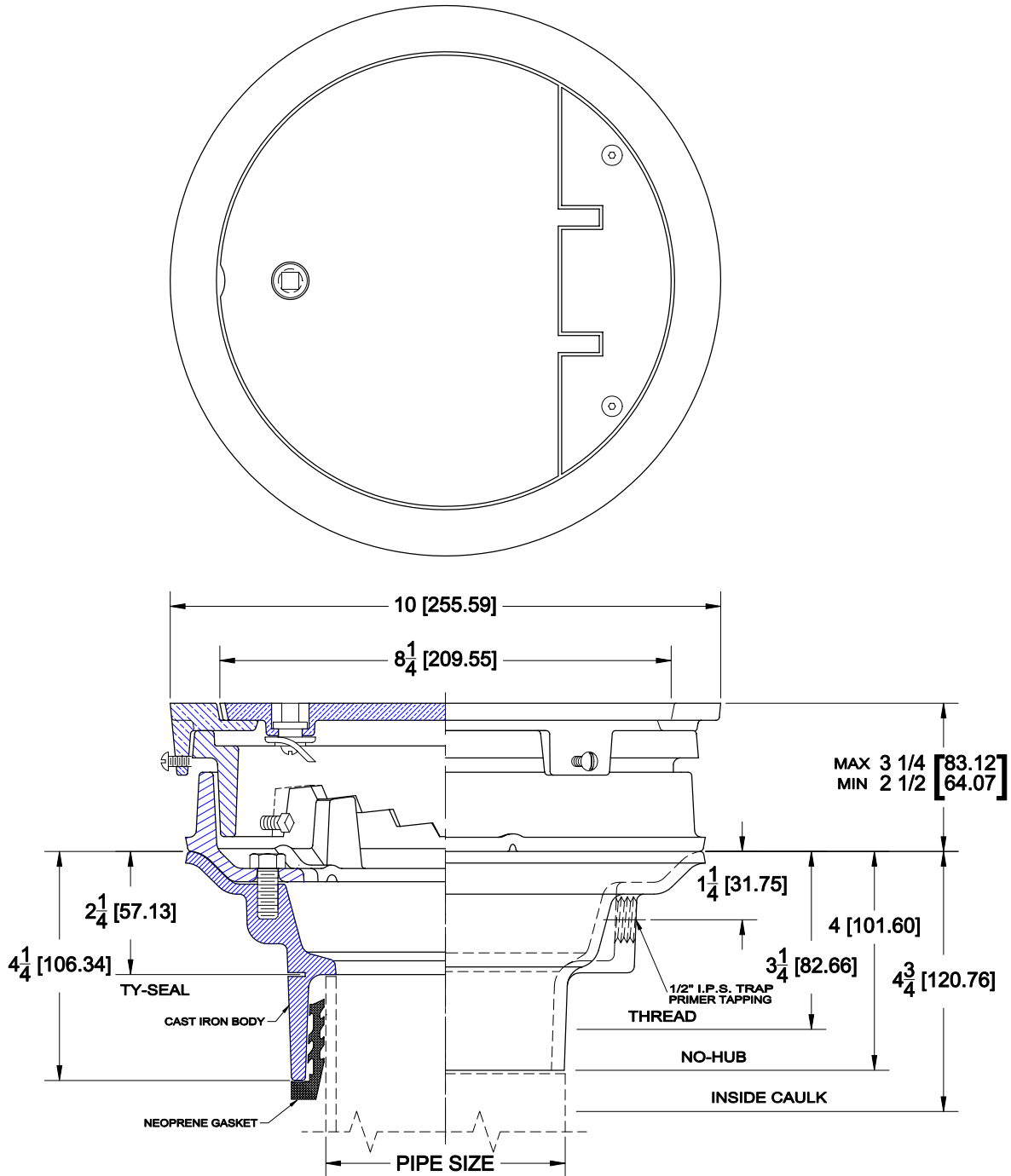


# ADJUSTABLE FLOOR DRAIN



1300,1,14,18,19

CAST IRON ADJUSTABLE FLOOR DRAIN WITH SATIN NICKEL BRONZE TOP, SOLID HINGED COVER, LOCKING DEVICE, SEEPAGE FLANGE AND BOTTOM OUTLET



ANSI Load Class - LD (Light Duty - Under 2,000 Lbs)

## OPTIONS

Cat. No.	Pipe Size	Wt. Lbs.	Suffix	Description
<input type="checkbox"/> 1302-1,14,18,19	2 (50)	39.0	<input type="checkbox"/> 23	GRATE RISER (EA 1 1/2" High)
<input type="checkbox"/> 1303-1,14,18,19	3 (75)	39.0	<input type="checkbox"/> 31	BACKWATER VALVE
<input type="checkbox"/> 1304-1,14,18,19	4 (100)	39.0	<input type="checkbox"/> 39	GALVANIZED IRON PARTS
			<input type="checkbox"/> 179	SECURITY SCREWS
<b>OUTLETS</b>				
<input type="checkbox"/> (NH) NO-HUB	<input type="checkbox"/> (TY) TY-SEAL	<input type="checkbox"/> (IC) INSIDE CAULK		

AutoCad.dwg