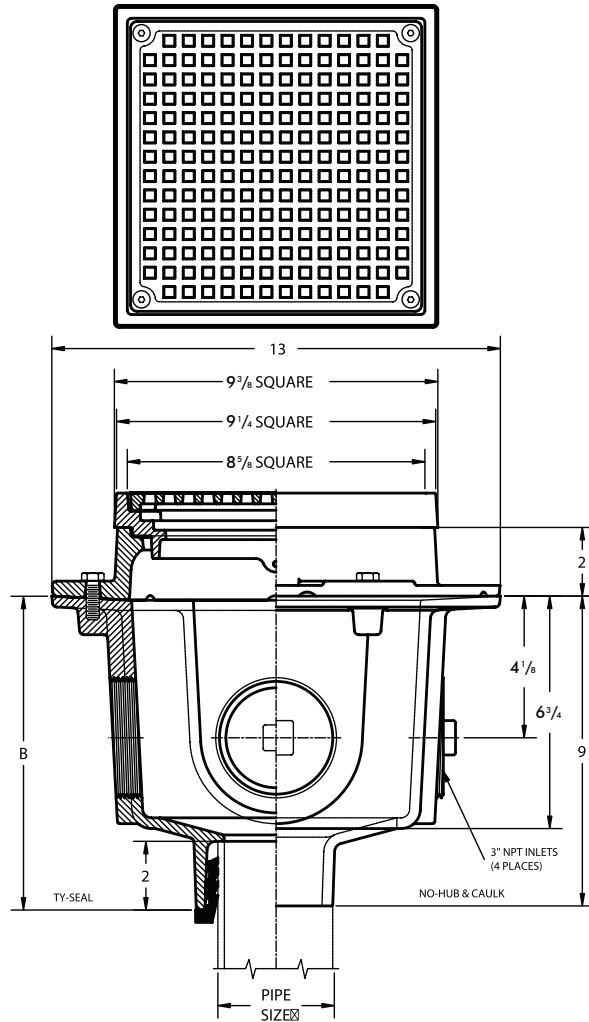


# Square Top Floor Drain



**2120** Painted cast iron floor drain with deep sump body, flange, clamping collar, seepage openings, square top with ductile iron heel proof grate, 4 each plugged 3" threaded connections and bottom outlet.  
 ANSI load class XH - Extra Heavy Duty (7,500-10,000 Lbs.)  
 Grate Free Area = 18.9 Sq.In.



Cat. No.	Pipe Size	B Ty-Seal	Flow Rate (GPM)	Wt. Lbs.
2122	2	9 1/4	30	45.0
2123	3	9 1/8	50	45.0
2124	4	9	80	46.0

**OUTLETS**

- NH..... No-Hub
- TY ..... Ty-seal
- IC ..... Inside Caulk

**OPTIONS**

Suffix	Description
<input type="checkbox"/> 1	Nickel Bronze Veneer Top
<input type="checkbox"/> 5	Vandal Proof (Secured Grate)
<input type="checkbox"/> 8	Flat Secondary Strainer
<input type="checkbox"/> 14	Hinged Grate
<input type="checkbox"/> 23	Grate Riser (2" High)
<input type="checkbox"/> 27	Sediment Bucket (Aluminum)
<input type="checkbox"/> 31	Backwater Valve
<input type="checkbox"/> 39	Galvanized Iron Parts
<input type="checkbox"/> 179	Security Screws