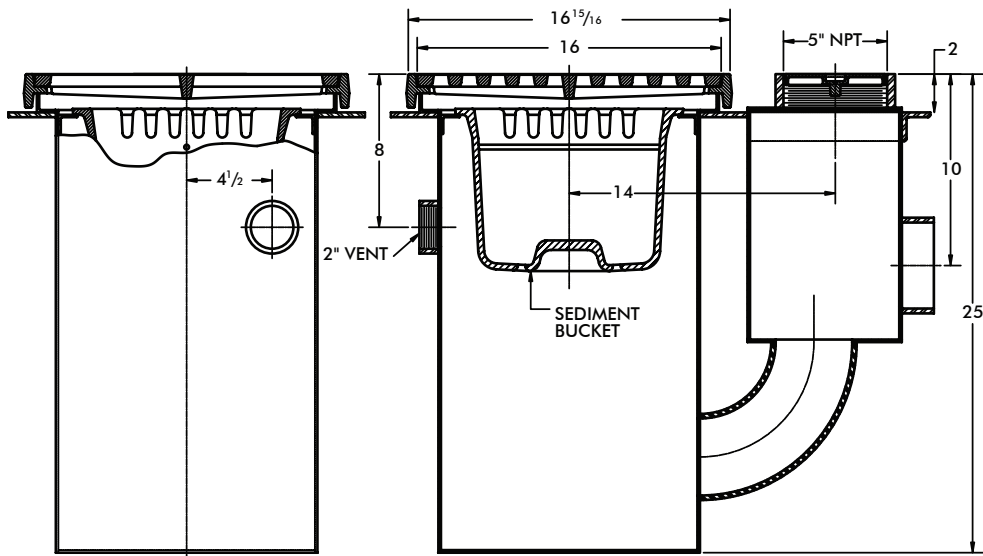


# Floor Drain w/ Integral Trap



**2050** Painted industrial floor drain with heavy duty fabricated steel body with deep sump, ductile iron loose set slotted grate, floor level cleanout access with threaded brass plug, suspended aluminum sediment bucket, integral double wall trap, 2" main body vent connection and no-hub side outlet.

ANSI load class XH - Extra Heavy Duty (7,500-10,000 Lbs.)  
 Grate Free Area - 89.1 Sq.In.



Cat. No.	Pipe Size	Wt. Lbs.
2053	3	285.0
2054	4	285.0

## OPTIONS

Suffix	Description
1.....	Nickel Bronze Veneer Top
5.....	Vandal Proof (Secured Grate)
6.....	1/2" Trap Primer Connection
24.....	Anchor Flange
26.....	Clamp Device w/ Anchor Flange
31.....	Backwater Valve
39.....	Galvanized Parts