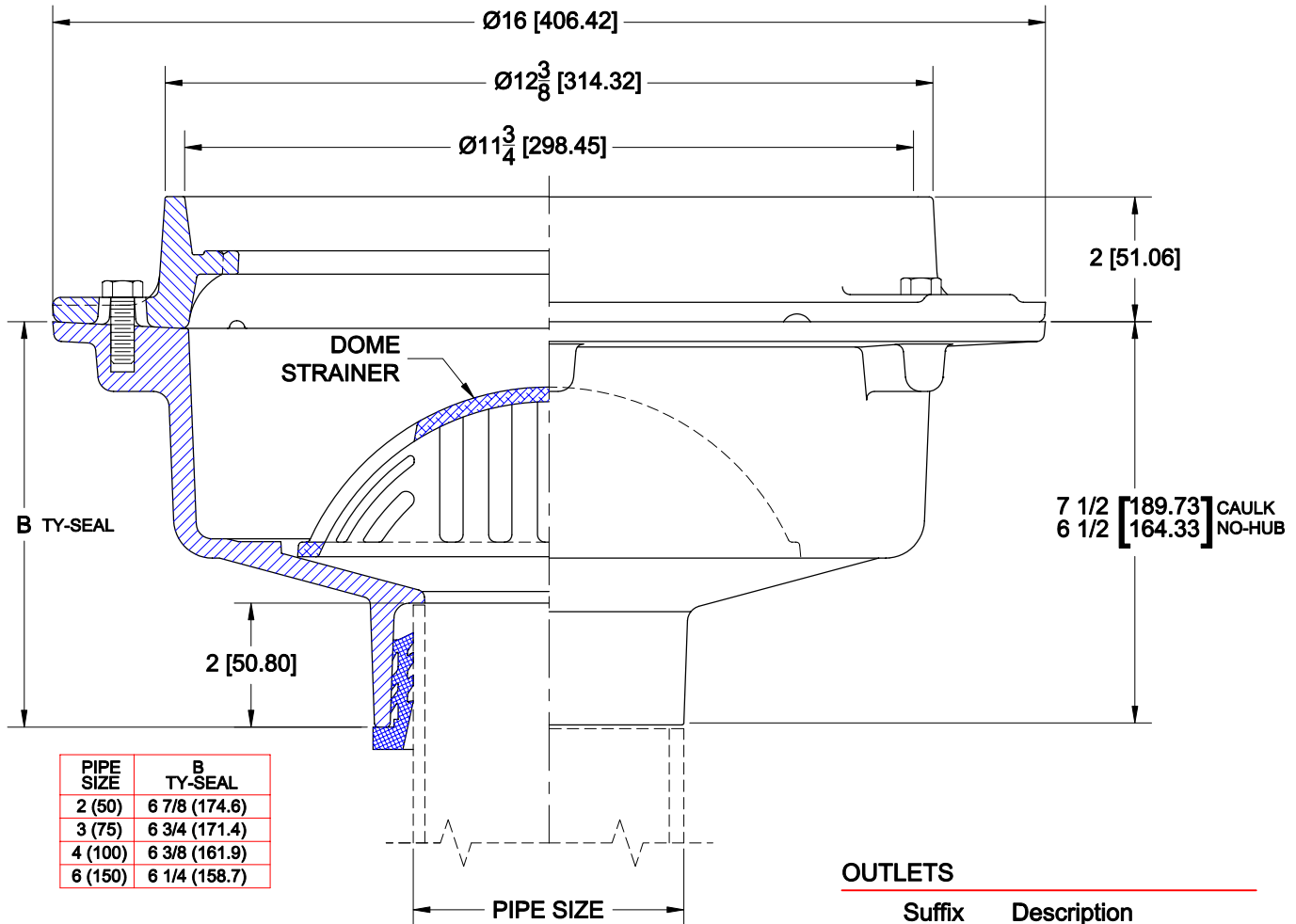


MEDIUM SUMP FLOOR DRAIN



1210-9-21

CAST IRON FLOOR DRAIN WITH INTEGRAL CLAMPING COLLAR, ALUMINUM DOME BOTTOM STRAINER, 1/2" TRAP PRIMER TAP (PLUGGED) & BOTTOM OUTLET



OUTLETS

Suffix	Description
NH	NO-HUB (2-8")
TY	TY-SEAL (3-8")
IC	INSIDE CAULK (3,4,6")

OPTIONS

Cat. No.	Pipe Size	Wt. Lbs.	Suffix	Description
1212-9-21	2 (50)	66.0	39	GALVANIZED IRON PARTS
1213-9-21	3 (75)	66.0	64	A.R.E. COATED IRON PARTS
1214-9-21	4 (100)	66.0		
1216-9-21	6 (150)	66.0		
1218-9-21	8 (200)	66.0		

AutoCad.dwg