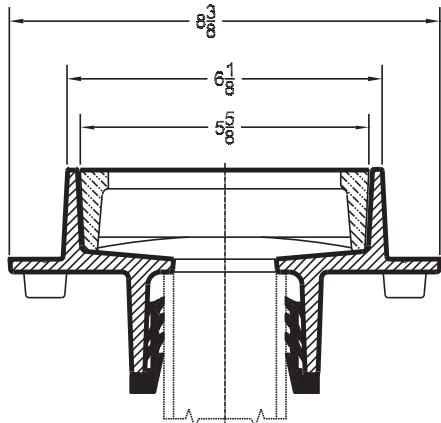
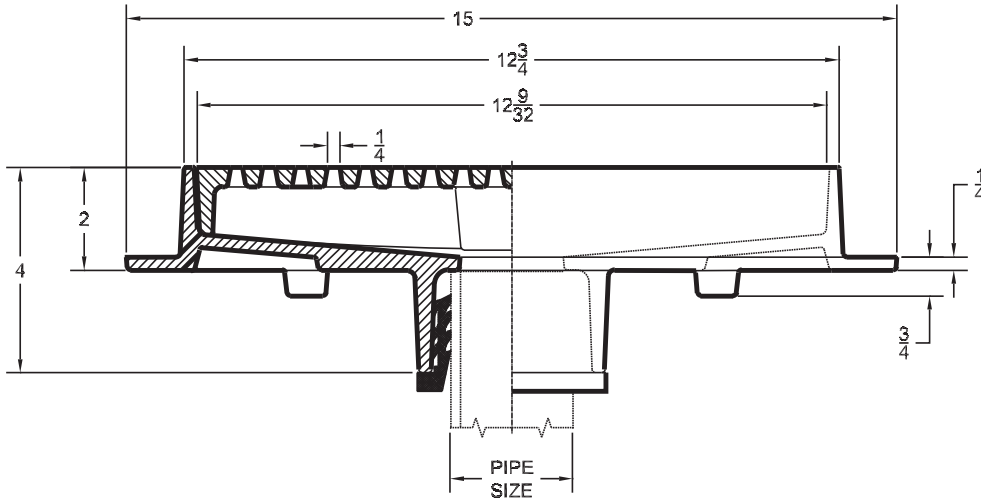


Rectangular Floor/Gutter Drains



1760 Cast iron rectangular floor or gutter drain with flange, outlet and secured ductile iron grate and frame. Not available with trap primer connection.



Cat. No.	Pipe Size	ANSI* Load Class	Flow Rate (GPM)	Free Area Sq. In.	Wt. Lbs.
1762	2	LD	33	27.8	30
1763	3	LD	43	27.8	30
1764	4	LD	63	27.8	30

*HD = Heavy Duty (5,000 to 7,499 lbs)

OPTIONS

Suffix	Description
26.....	Clamp Device
39.....	Galvanized Iron Parts
179.....	Security Screws
1.....	Nickle Bronze Top

OUTLETS

(TY) Ty-Seal Only