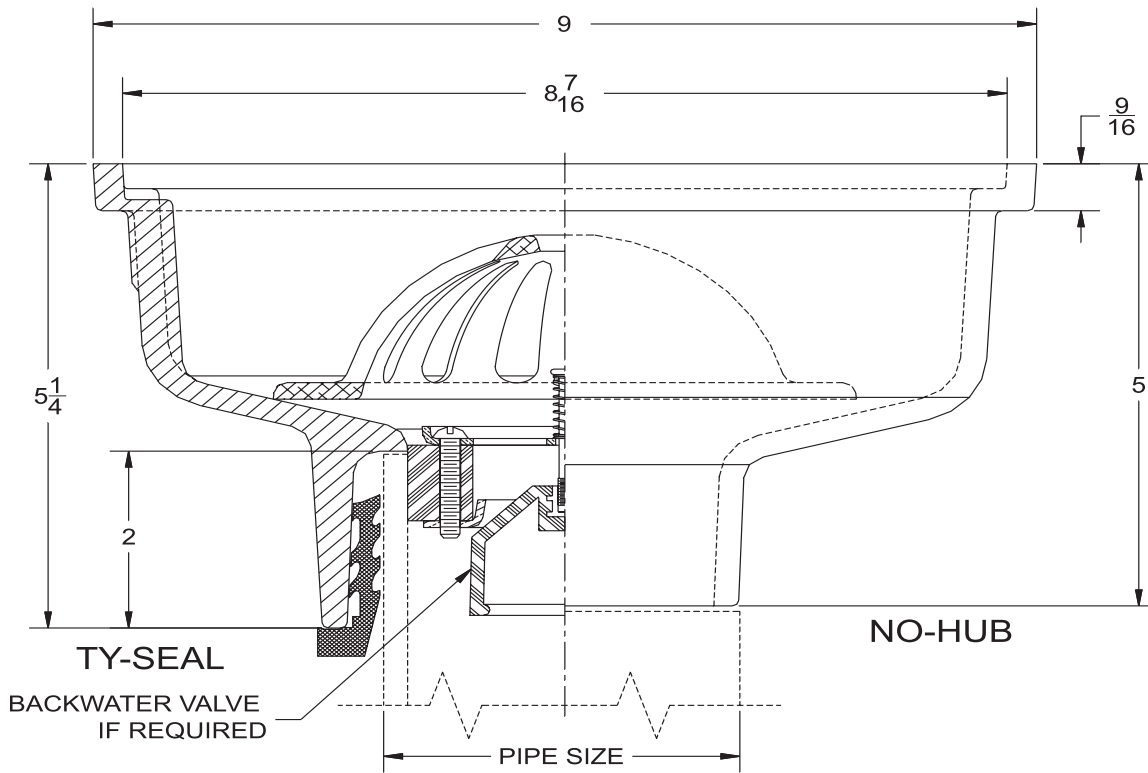


Indirect Waste Funnel Drain

WADE

1630 Painted indirect waste funnel drain with cast iron body, aluminum secondary dome strainer and bottom outlet.



Cat. No.	Pipe Size	Wt. Lbs.
1632	2	9.0
1633	3	9.5
1634	4	10.0

OUTLET:

- (NH) No-Hub
- (TY) Ty-Seal

OPTIONS

Suffix	Description
31.....	Backwater Valve
39.....	Galvanized Parts
64.....	A.R.E Powdered Epoxy Coating.