

SERVICE SINK CARRIER



Approval
Date

Customer
Approval

Job
Location

Job
Name

Dimensional Data (Inches/mm) are Subject to Manufacturers Tolerance and Change Without Notice. Wade Division / Tyler Pipe Assumes No Responsibility For Superseded or Voided Data

620-011

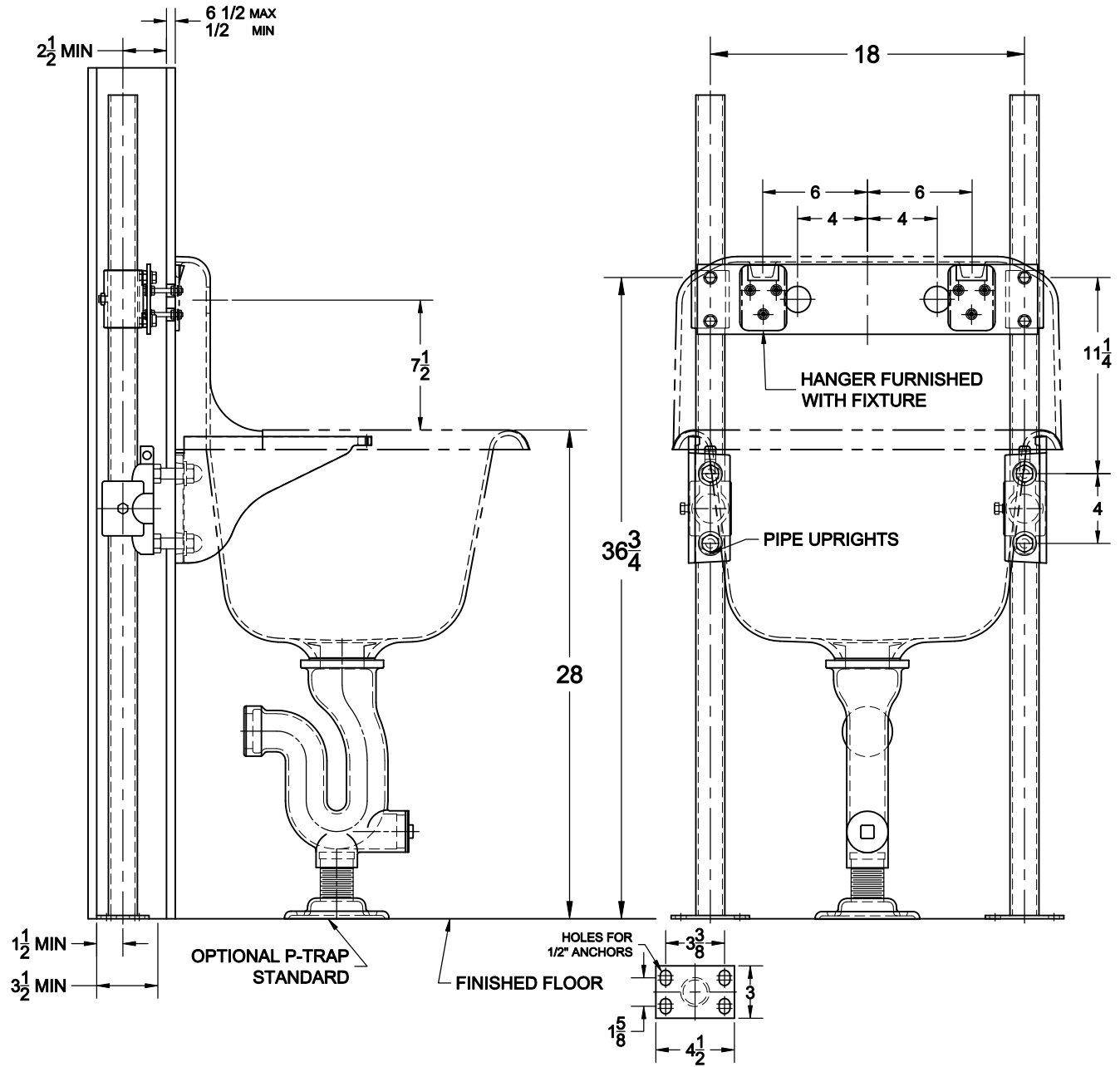
HANGER PLATE CARRIER WITH PIPE UPRIGHTS,
WELDED BASE FEET, A.R.E. EXPOSED ARMS
AND SUPPORT HARDWARE.

FIXTURE

Manufacturer Kohler

Name Bannon No. K-6714

Style Service Sink K-6718



OPTIONS

Cat. No.	Type	Wt. Lbs.	Suffix	Description
<input type="checkbox"/> 620-011	SGL	59.0	<input type="checkbox"/> M36	SQUARE UPRIGHTS

NOTE: CONTRACTOR MUST VERIFY DIMENSIONS WITH FIXTURE MANUFACTURER ROUGH-IN DATA
TYLER PIPE / WADE DIVISION ACCEPTS NO RESPONSIBILITY FOR ANY INACCURACIES IN DRAWING

AutoCad.dwg