

# Washfountain Carrier



623-AM12

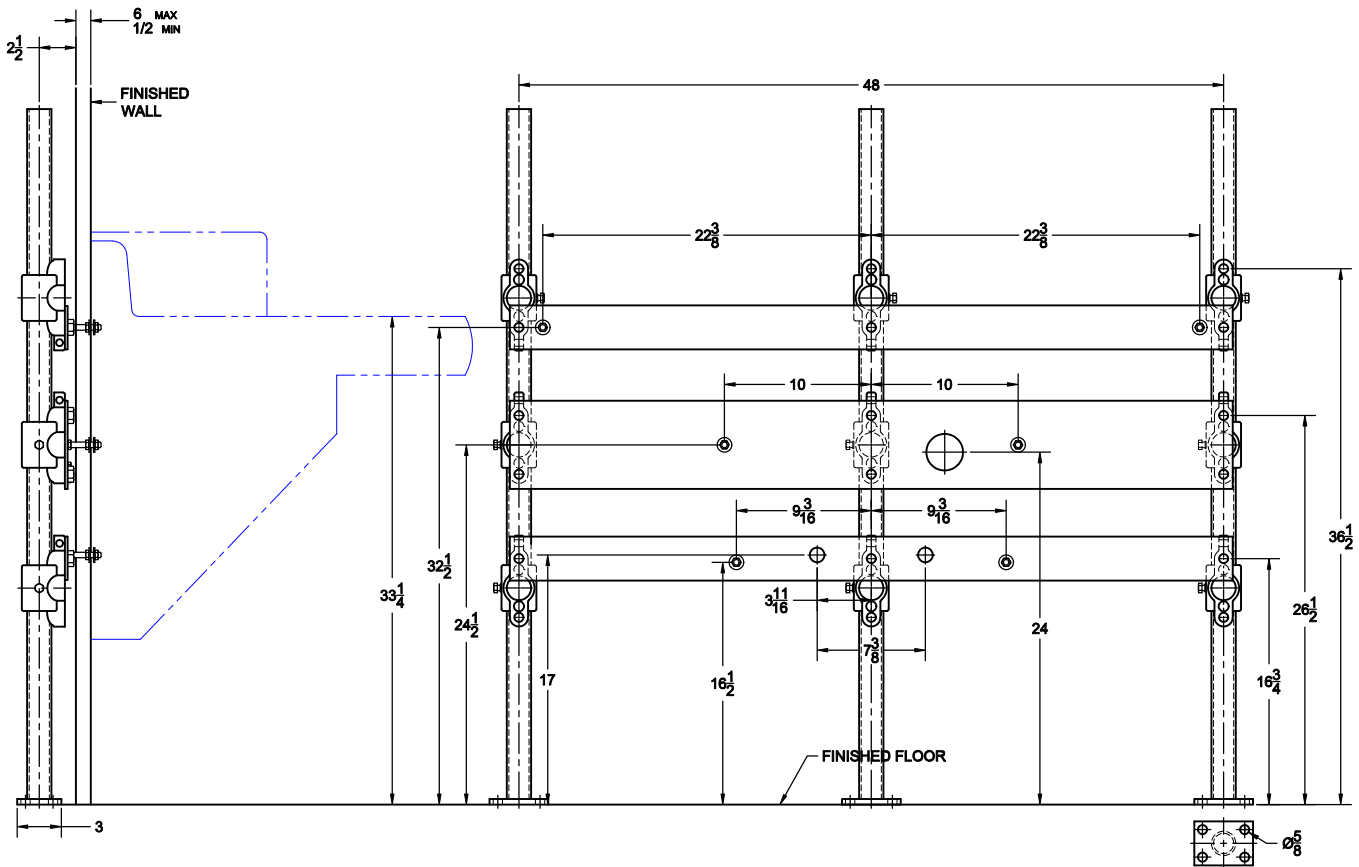
Hanger plate carrier with pipe uprights, welded base feet, lower support plate & fixture support hardware.

## FIXTURE

Manufacturer Bradley

Name Sentry No. 2004 (A,AZ,B,F)

Style Semi-Circular 2024 (A,AZ,B,F)



## OPTIONS

Cat. No.	Type	Wt. Lbs.
<input type="checkbox"/> 623-AM12	SINGLE	59.0

Suffix	Description
<input type="checkbox"/> M36	Rectangular Steel Uprights
<input type="checkbox"/>	

AutoCad.dwg