

Washfountain Carrier



620-AM12

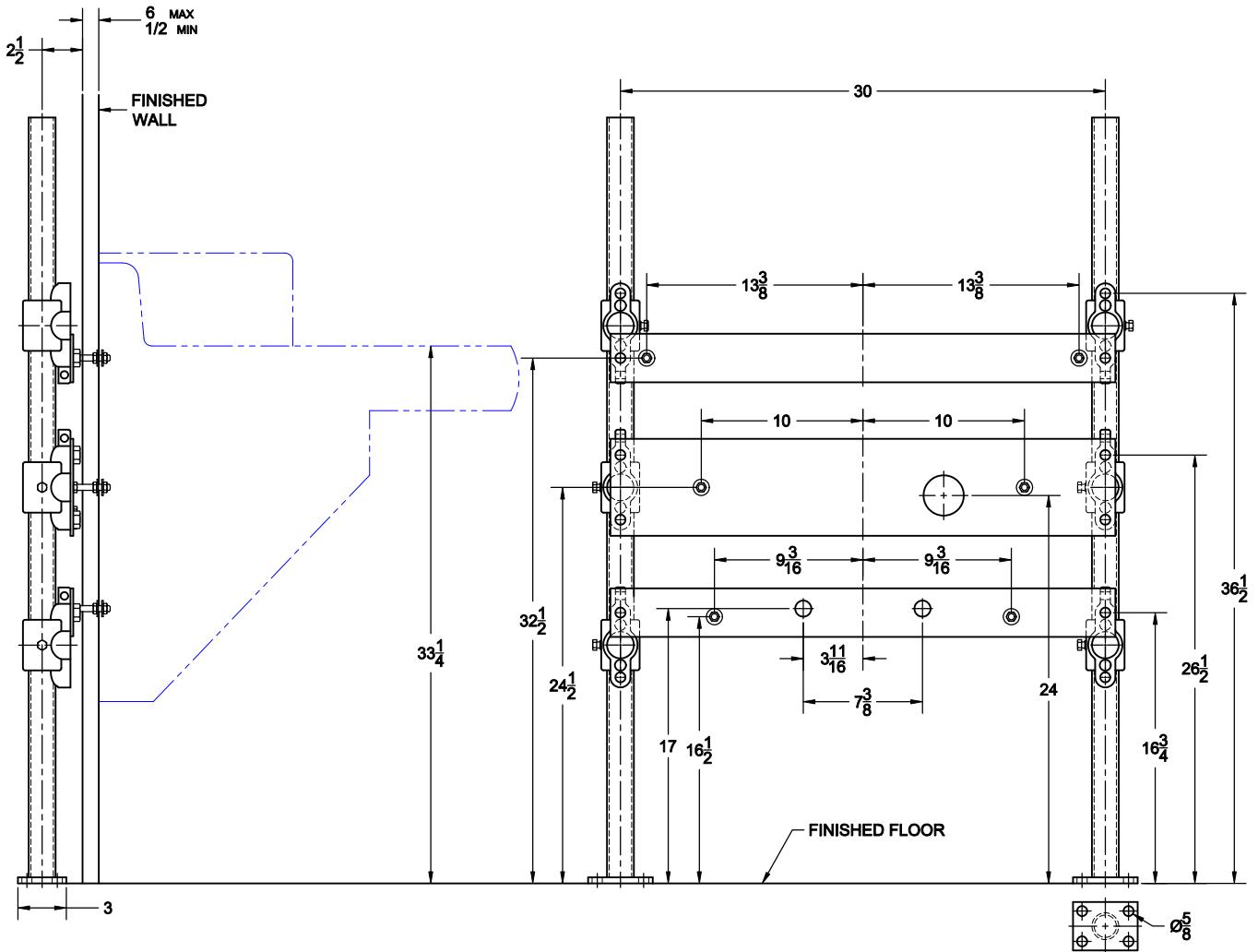
Hanger plate carrier with pipe uprights, welded base feet, lower support plate & fixture support hardware.

FIXTURE

Manufacturer Bradley

Name Sentry No. 2003 (A,AZ,B,F)

Style Semi-Circular 2023 (A,AZ,B,F)



OPTIONS

Cat. No.	Type	Wt. Lbs.
<input type="checkbox"/> 620-AM12	SINGLE	59.0

Suffix	Description
<input type="checkbox"/> M36	Rectangular Steel Uprights
<input type="checkbox"/>	

AutoCad.dwg