

# Lavatory Carrier



520-08-SC43

Concealed arm carrier with pipe uprights, leveling screws, lock device & welded base feet.

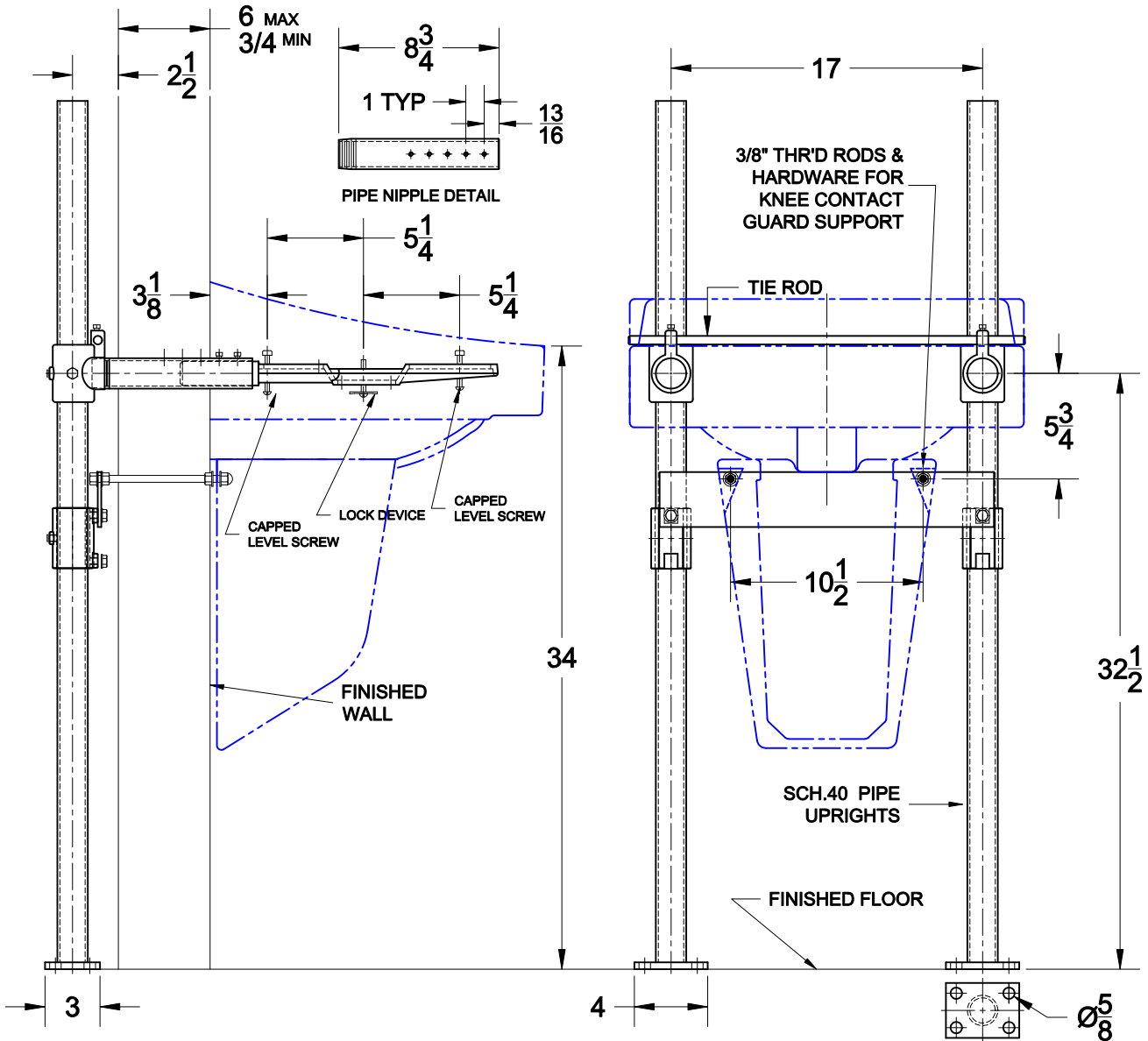
## FIXTURE

Manufacturer Zurn

Name Wall Hung No. Z5341-PED

Style Lavatory Z5344-PED

Z5348-PED



### OPTIONS

Cat. No.	Type	Wt. Lbs.	Suffix	Description
<input type="checkbox"/>	520-08-SC43 Single	36.0	<input type="checkbox"/> M36	Rectangular Steel Uprights
			<input type="checkbox"/>	

AutoCad.dwg