

Lavatory Carrier



520-07-M19

Concealed arm lavatory carrier with pipe uprights, welded base feet and level/lock hardware.

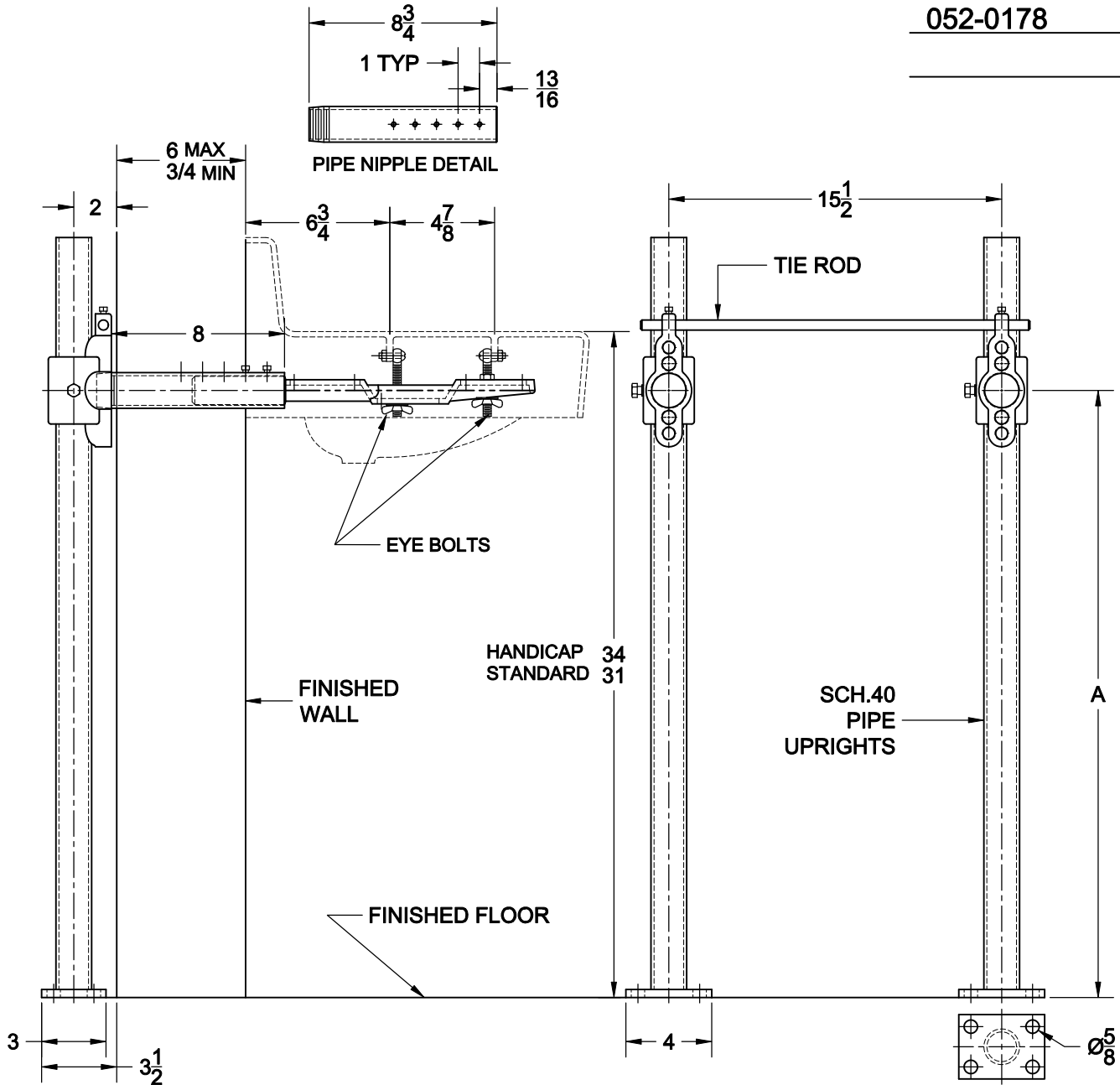
FIXTURE

Manufacturer Eljer

Name Bucknell No. 052-0181

Style Lavatory 052-0164

052-0178



DIMENSION A Must be determined at job site - Eljer Rough-In does not provide dimensions from centerline of lug holes to top of sink. Contractor is responsible for determining appropriate dimension.

			OPTIONS	
Cat. No.	Type	Wt. Lbs.	Suffix	Description
<input type="checkbox"/> 520-07-M19	Single	36.0	<input type="checkbox"/> M36	Rectangular Steel Uprights
			<input type="checkbox"/>	

AutoCad.dwg