

Lavatory Carrier



520-08

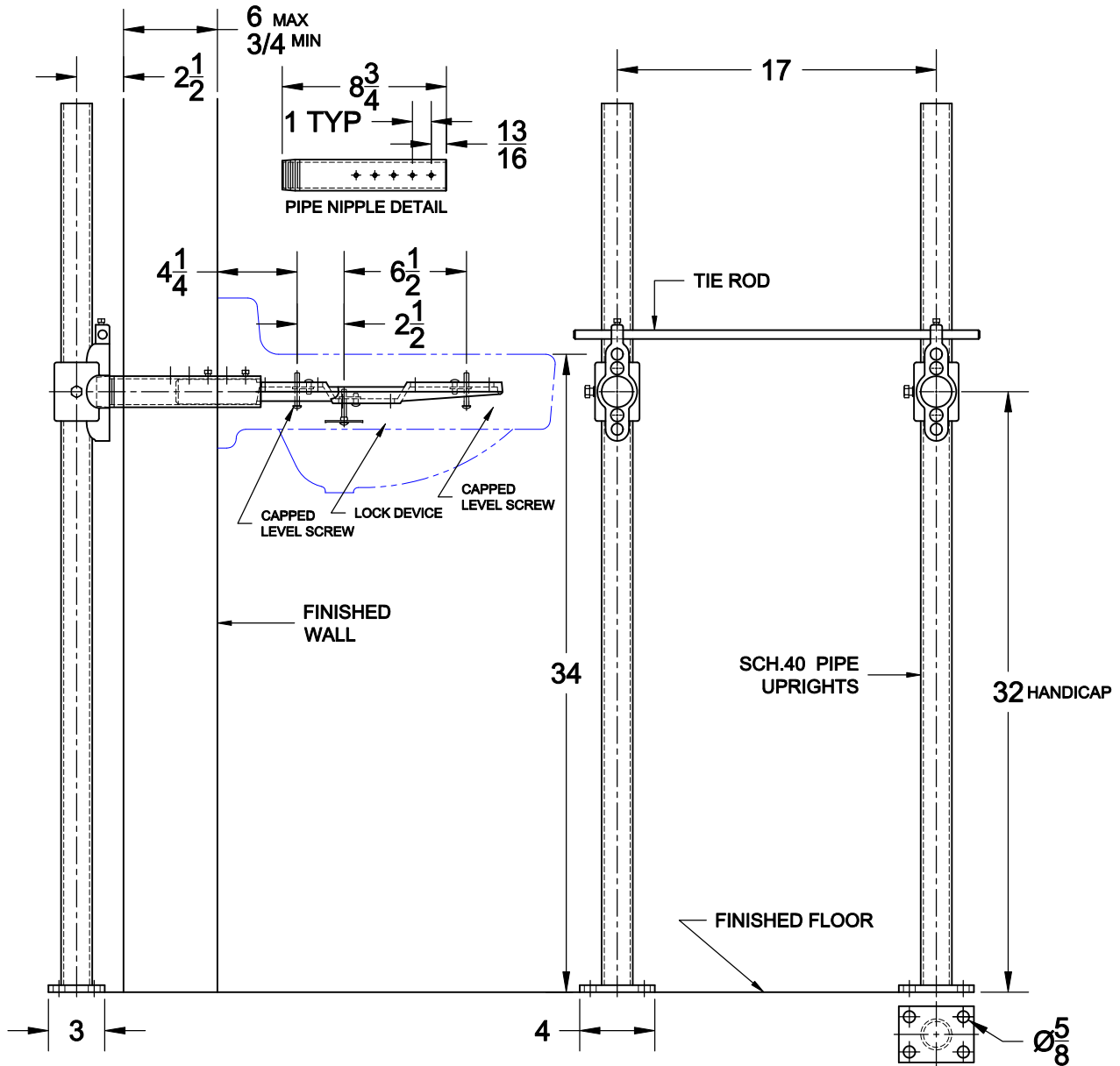
Concealed arm carrier with pipe uprights,
leveling screws, lock device & welded base feet.

FIXTURE

Manufacturer Crane

Name New Colleen No. 4656V

Style Lavatory 4658V



OPTIONS

Cat. No.	Type	Wt. Lbs.	Suffix	Description
<input type="checkbox"/> 520-08	Single	36.0	<input type="checkbox"/> M36	Rectangular Steel Uprights
			<input type="checkbox"/>	