

Lavatory Carrier



520-08

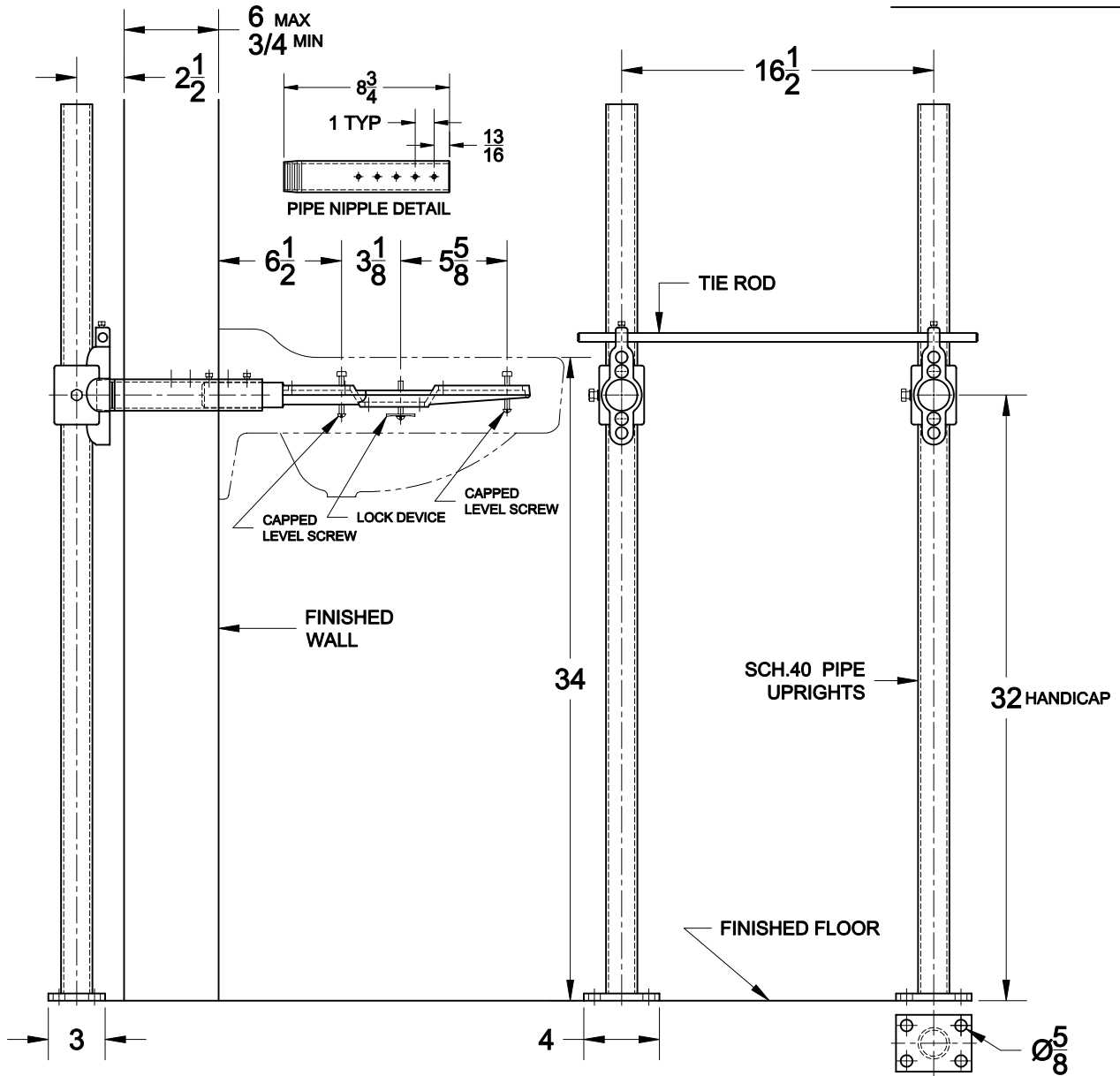
Concealed arm carrier with pipe uprights, leveling screws, lock device & welded base feet.

FIXTURE

Manufacturer American Standard

Name Comrade No. 0124.131

Style Lavatory



OPTIONS

Cat. No.	Type	Wt. Lbs.	Suffix	Description
<input type="checkbox"/> 520-08	Single	36.0	<input type="checkbox"/> M36	Rectangular Steel Uprights
			<input type="checkbox"/>	

AutoCad.dwg